



2017

TAHOE 4x4 SPECIAL SERVICE





About This Publication

This catalog is not updated during the model year and should not be used for ordering purposes. It is intended as a source of basic information. All illustrations and specifications in this literature are based on the latest product information available at the time of publication. General Motors reserves the right to make changes at any time without notice. For further details, consult your local dealer.

Care must be taken during customer installation of equipment and wiring to ensure that all holes drilled in the body are corrosion protected, properly sealed and that vehicle wiring harnesses, piping or other components have not been displaced or damaged. Aftermarket equipment installers must be mindful of applicable Federal Motor Vehicle Safety Standards. This information can be obtained directly from the National Highway Traffic Safety Administration.

Adding non-dealer accessories or making modifications to the vehicle can affect vehicle performance, aerodynamics, and overall top speed.

These vehicles are equipped with an air bag system. The air bag system in your police vehicle includes frontal driver and passenger air bags, front seat back side impact air bags, front knee air bags or knee bolsters and side curtain air bags. Customer installed equipment such as security barriers behind the front seats should not be mounted so that the barrier ends are within the side air bag deployment zones. The sensors and other components for the air bag system must not be relocated to accommodate the installation of customer furnished equipment; please refer to the service manual for sensor and other component locations. For information concerning instrument panel top pad mounted equipment and air bag system deployment zones, see the air bag information section in this catalog and the vehicle owners manual.

A note about vehicle alterations by independent suppliers: This catalog shows pictures of vehicles that have been altered or upfitted with equipment or components supplied to Chevrolet or its dealers by independent suppliers. Chevrolet is not responsible for the safety or quality of design features, materials or workmanship of any alterations by a supplier.

INDEX

- **UPDATES FOR 2017 TAHOE 4X4 SPECIAL SERVICE**
- **STANDARD FEATURES**
- **POWERTRAIN / EMISSIONS / STANDARD TIRES**
- **COLORS & INTERIOR TRIM**
- **OPTIONAL EQUIPMENT**
- **SPECIFICATIONS**
- **WHEEL & TIRE PACKAGES**
- **DRIVER INFORMATION**
- **ILLUSTRATION HIGHLIGHTS**
- **LOADING ZONES**
- **WIRING DIAGRAMS**
- **AIRBAG DIMENSIONS**
- **AIRBAGS & STABILITRAK**
- **WARRANTY**

TAHOE 4x4 SPECIAL SERVICE

Fully accessible underbody spare tire standard



Shown with aftermarket equipment and Kerr-installed Push-To-Talk steering wheel controls

UPDATES FOR 2017

NEW FEATURES

- **Teen driver mode (See 5W4 Standard Interior Features for Description)**
- **Option (6C7) Lamp, Auxiliary Dome (Incandescent bulbs changed to LED)**
- **(G1M) Blue Velvet Metallic exterior color (Use in place of 9V7 Dark Blue Metallic)**
- **(GMU) Pepperdust Metallic exterior color bulbs)**
- **Capless Fuel Fill (See Standard Exterior Features for Description)**
- **Aero shutters (See Standard Chassis Features for Description)**

DISCONTINUED

- **(GWX) Brownstone Metallic**
- **(G1C) Slate Grey Metallic**
- **(G7U) Sable Metallic**
- **(9V7) Dark Blue Metallic (Use GM1 Blue Velvet Metallic in place of 9V7)**

NOTE: The four-wheel drive Tahoe Special Service (5W4) offers you support in general utility for off-road and non-pursuit operations. GM restricts the sale of police vehicles and they are not to be sold to retail customers. Model CK15706 (four-wheel drive) with equipment group 1FL is required when ordering 5W4 Special Service package. Two-wheel drive model is not available.

STANDARD 5W4 INTERIOR FEATURES	
AIR CONDITIONING	Dual-zone automatic, includes front and rear air conditioning with electronic controls
ASSIST HANDLES	Front passenger and second row outboard; front passenger assist handle is deleted when passenger side spotlamp is ordered
AUDIO SYSTEM	AM/FM stereo with CD player and auxiliary input jack, USB-ports, MP3 player and 6-speaker system, includes 4.2 inch radio screen. Radio Data Systems (RDS) capable. (see standard equipment illustrations section)
BACK-UP CAMERA	Displayed in radio screen
BACK-UP SENSORS	Rear Park Assist with audible warning
BLUETOOTH¹	Bluetooth cell phone connectivity Displayed on radio screen (see standard equipment illustrations section) (deleted when UE0 OnStar delete is ordered) Bluetooth microphone is same location as OnStar. It is located on the headliner in front of driver's sun visor. Bluetooth phone conversations are broadcast over the 4 front speakers only (left front door/right front door/left dash/right dash pad).
COMPASS	Displayed in Driver Information Center See standard equipment illustrations section (Compass is deleted when UE0 OnStar Delete is ordered)
CONSOLE, OVERHEAD	Includes conversation mirror and sunglass holder with map lights and passenger airbag indicator
CRUISE CONTROL	Electronic with set and resume speed
FLOOR COVERING	Black rubberized vinyl floor and load floor behind second row seats, see illustration section for description (carpeting and carpeted floor mats are available, see option B30 and B58 see available options page)
GLASS	Deep-tinted, all windows (except for windshield, and driver/front-passenger side glass which are light-tinted). Front doors have a 24.6% UV transmission Rear door and cargo glass is 12% +/- 3% transparency and front glass has 70% minimum. Non-tinted, solar absorbing glass available (see available options page).
GLOVE BOX	Locking door without courtesy light (uses ignition key)
LIGHTING	Interior LED with courtesy lights, door handle or remote entry activated, illuminated entry and map lights
MIRROR	Inside, rearview, manual day/night
NAVIGATION	Available only with active OnStar ² account that includes Turn-by-Turn directions plan; directions are displayed as text on radio. Does not include map view navigation screen.
ONSTAR³	OnStar Basic Plan for 5 years, includes limited vehicle mobile app features, Monthly Diagnostics Report and Dealer Maintenance Notification". "Basic Plan available for 5 years from the date of vehicle delivery and is transferable. Does not include Emergency, Security or Navigation services. NOTE: Activation of an OnStar account requires the request of customer to initiate once vehicle is received
ONSTAR GUIDANCE⁴	OnStar Guidance Plan for a limited time period. Includes Automatic Crash Response, Stolen Vehicle Assistance, Roadside Assistance, Turn-by-Turn Navigation, Advanced Diagnostics and more (trial excludes Hands-Free Calling)". Visit www.onstar.com for coverage map, details and system limitations. Services vary by model. OnStar acts as a link to existing emergency service providers. Not all vehicles may transmit all crash data.
ONSTAR WITH 4G LTE⁵	OnStar 4G LTE and built-in Wi-Fi hotspot connects to the Internet at 4G LTE speeds; includes OnStar Data Trial for 3 months or 3GB (whichever comes first)". Visit www.onstar.com for coverage map, details and system limitations. Services vary by model. OnStar acts as a link to existing service providers. Not all vehicles may transmit all crash data. Available Wi-Fi requires compatible mobile device, active OnStar service and data plan. Data plans provided by ATandT.
OUTSIDE TEMPERATURE	Displays in top right corner of radio screen (see standard equipment illustrations section)
RESTRAINT SYSTEM⁶	Three point safety belts, driver and front passenger with pretensioners, dual stage driver and front passenger frontal airbags, driver and passenger knee bolsters, front passenger sensing system with frontal airbag ON/OFF indicator, rollover sensor, dual head curtain airbags for front and second row outboard occupants ³ and front seat-back mounted thorax-pelvic airbags; head curtain airbag extends to cargo area
SEATS, FRONT	CLOTH 40/20/40 individual seats, 3 passengers with 10-way power driver seat adjuster (fore/aft, up/down, tilt, recline, and lumbar), and 6-way power passenger seat adjuster. Adjustable outboard head restraints and storage pockets. Center seat section can be deleted (9U3) for 15" of open floor space (see front seats and interior trim illustration page for description).
SEAT, REAR	CLOTH split-folding 60/40 bench seats includes folding center armrest with cup holders, outboard seating position headrests and reclining rear seat back. (Vinyl 2nd row seat option 5T5) 3rd row seats not available (see front seats and interior trim illustration page for description)
SPEEDOMETER/CLUSTER	Digital Speedometer and 140 mph analog speedometer, 1 mph increments and digital trip odometer with gauges for engine oil pressure, fuel, battery volts, coolant temperature and tachometer. Driver Information Center displays engine hours, warnings, and backup sensor proximity status while in reverse (see message listing for additional features).
STEERING WHEEL	Tilt-wheel with cruise control and column mounted gear shift lever.
SURVEILLANCE FEATURE	Body Control Module calibration is available to disable all automatic interior and exterior lighting. Feature requires connection to BCM by customer. Feature operates with or without SEO 9G8, delete Daytime Running Lamps and Automatic Headlamps. (see illustration section for description)
TEEN DRIVER MODE	A configurable feature that can be programmed through your radio that lets you activate customizable vehicle settings associated with a key fob, to encourage safe driving behavior. It can limit certain vehicle features, and it prevents certain safety systems from being turned off. An in-vehicle report gives you information on your driving habits..
THEFT DETERRENT SYSTEM	Vehicle PASS-Key [®] III+ and content theft (unauthorized entry, or entry without use of keyless remote fob, sounds horn and lamps flash). Content Theft Alarm Disable, option UTQ must be ordered.
VISORS	Padded with cloth trim, extends on rod; driver and front passenger illuminated vanity mirrors
WARNING TONES	Headlamp on, key-in-ignition, driver and right-front passenger safety belt unfasten, backup sensor with warning tone and turn signal on
WINDOW OPERATION	Power with driver express up/down and lockout features

1.Full functionality requires compatible Bluetooth and smartphone. Some devices require USB connectivity. Map coverage available in United States, U.S. Virgin Islands, Puerto Rico and Canada.

2. Always use safety belts and child restraints. Children are safer when properly secured in a rear seat in the appropriate child restraint. See the Owner's Manual for more information.

3. Does not include emergency or security services. Visit onstar.com for coverage map, details and system limitations

4. Visit onstar.com for coverage map, details and system limitations

5. Requires a compatible mobile device, active OnStar service and data plan. 4G LTE service available in select markets. Visit onstar.com for coverage map, details and system limitations.

	STANDARD 5W4 EXTERIOR FEATURES
<i>ASSIST STEPS</i>	Black, mounted between front and rear wheels
<i>BODY SIDE MOLDINGS</i>	Optional (see available options page)
<i>CAPLESS FUEL FILL</i>	The vehicle has a capless refueling system and does not have a fuel cap. The filling nozzle must be fully inserted and latched prior to starting fuel flow. NOTE: Overfilling the fuel tank by more than three clicks of a standard fill nozzle may cause vehicle performance issues, including engine stalling and damage to the fuel system, fuel spills, potential fuel fires
<i>DEFOGGER</i>	Electric, rear window
<i>DOOR HANDLES</i>	Body color
<i>DOOR LOCKS</i>	Power programmable; Lockout is disabled; see LOCK-OUT PROTECTION description shown under STANDARD 9C1 ELECTRICAL FEATURES below. Door locks can be programmed via radio settings menu (see standard equipment illustrations section). Lock cylinder not available on passenger front door or rear liftgate. Child safety door and window locks individually controlled electronically by driver door mounted switches. Includes 2 remote transmitters.
<i>FASCIA, FRONT</i>	Body color with police specific lower extension for increased brake cooling and ground clearance
<i>FASCIA, REAR</i>	Body color with step pad
<i>FOG LAMPS</i>	Not available
<i>HEADLAMPS</i>	Dual halogen composite with flash-to-pass feature, automatic exterior lamp control and daytime running lamps. Daytime running lamps are low beam lamps and operate at a reduced intensity To disable daytime running lamps and automatic lamps control, see option 9G8 on the available options page. Altering headlamp assembly is not recommended, General Motors is not responsible for the effects of any modifications.
<i>HORNS</i>	Dual note
<i>KEYS</i>	Two-sided, random code, for ignition, driver door and glove box. Six additional keys are available (maximum 8 keys can be programmed per vehicle). see available options page. Fleet keyed-alike is available; see available options page.
<i>KEYLESS ENTRY REMOTES</i>	Includes two extended-range transmitters with non-functional panic button; stealth mode feature includes exterior lamps and horn disable as default setting. Remote feedback is programmable via radio settings if light and or horn lock/unlock notification is desired. Daytime running lamps will remain illuminated when optional (BTV) remote start is activated. Additional transmitters are available; see available options page.
<i>LUGGAGE RACK</i>	Not available
<i>MIRRORS</i>	Outside heated power-adjustable, manual-folding, body color with driver side spotter mirror
<i>RADIO ANTENNA</i>	Located in rear quarter glass
<i>REAR LIFTGATE</i>	Manual open/close with liftgate/liftglass latch exterior release switch or release via remote fob
<i>REAR PARK ASSIST</i>	Sensors on rear bumper to assist with parking and avoiding objects while in reverse. (see illustration section for description)
<i>REAR VISION CAMERA</i>	Audible warning with rear camera view radio screen display (see illustration section for description)
<i>TIRES</i>	All-season P255/70R17 blackwall (see optional equipment page for additional tire and wheel options)
<i>TIRE, SPARE</i>	Full-size spare, lockable with outside winch-type carrier mounted under frame at rear (TPM sensor not included).
<i>UNDER HOOD LAMP</i>	Not available
<i>WHEELS</i>	17" Grey finished steel wheel. Not included when (NHT) Max Trailering Package is selected.
<i>WHEEL CENTER CAP</i>	Argent plastic
<i>WINDSHIELD</i>	Solar absorbing shaded upper with acoustic laminated glass
<i>WINDSHIELD WIPERS</i>	Intermittent, with rain sensing
	STANDARD 5W4 ELECTRICAL FEATURES
<i>AUXILIARY POWER, FRONT</i>	170-Amp ignition and main power supply wiring at lower center of instrument panel: 120-amp primary battery ignition controlled relay power and 50-amp auxiliary battery power (see specifications page for description)
<i>AUXILIARY POWER, REAR</i>	100-amp cargo area (auxiliary battery powered) (see illustrations section for description)
<i>LOCK-OUT PROTECTION</i>	Lockout Protection is not available with the Tahoe Police and Special Service Vehicle. When locking is requested with the driver door open and the key in the ignition, all doors will lock and remain locked. The key-in-ignition audible warning will sound while the driver door is open. The locked driver door can be closed with the key in the ignition. If running, the engine will remain running.
<i>POWER OUTLETS</i>	110-volt (3 prong outlet) located in the lower center stack. 110 volt, 60 Hertz power outlet is rated 150 watts (1.36 amps at 110v). Overload power before automatic shut off is 275 watts for 10 seconds or 418 watts for 1 second. Also includes four auxiliary 12-volt outlets including one on the instrument panel, one in the center fold-down seat storage, and two in the cargo area. Outlet power is configurable to be Battery Powered at all times or Ignition Controlled Power. See the Standard Equipment Section for description of selecting Outlet power configuration.
<i>WIRING DIAGRAMS</i>	See Wiring Section for description; also see Tahoe Police Package owner's manual supplement (located in glove box folder with standard owner's manual)

STANDARD 5W4 CHASSIS FEATURES

AERO SHUTTERS	Aero shutters are designed to close when operating conditions permit. The shutters are located on the front of the A/C condenser under hood to divert airflow around the front of the truck reducing wind drag and improves fuel economy. When the cooling system requires more air flow the shutters automatically reopen, ensuring proper air flow through the radiator
AIR CLEANER	High-capacity
ALTERNATOR	170-amp high output with idle boost based on battery energy level (see specifications page for description)
AXLE	3.08 Ratio with heavy-duty locking differential
BATTERIES	Primary 720 CCA, 80 amp-hour rating with battery rundown protection (may be configured to protect customer installed equipment). Isolated, Auxiliary 730 CCA, 70 amp-hour battery without battery run-down protection for customer installed equipment. (see specifications page)
COOLING	Heavy-duty high-capacity radiator, electric fans and extended life coolant; coolant hoses are EPDM (ethylene-propylene-diene monomer) rubber; silicone hoses are not required (coolant is DEX-COOL good for 5 years/150,000 miles, protects from -34° F to +265° F and against rust and corrosion)
ENGINE	5.3L EcoTec3 V8 with direct injection, variable valve timing (VVT), Active Fuel Management (AFM), aluminum block, and FlexFuel capability (gasoline or E85 ¹ ethanol); includes air conditioning wide open throttle cut off (see specifications page)
EXHAUST	Aluminized stainless-steel muffler and tailpipe
FRAME	Full perimeter, modular with hydroformed rails (includes ground straps)
FUEL TANK CAPACITY	26 gallon (98 liters)
HILL START ASSIST	This feature is designed to prevent the vehicle from rolling, either forward or rearward, during vehicle drive off.
OIL COOLERS	Engine oil, oil-to-coolant heat exchanger in passenger side of coolant radiator. Transmission oil, oil-to-coolant heat exchanger in driver side of coolant radiator with auxiliary transmission air-to-oil cooler in upper portion of the AC condenser (see illustration section for description).
PROP SHAFT	4 inch diameter aluminum
RADIO SUPPRESSION	Grounding straps, at five locations (see illustration section for location)
REAR DIFFERENTIAL	Heavy-duty locking
SPARK PLUGS	Extended life - iridium tip
STABILITRAK	An advanced computer controlled stability enhancement system assists the driver with directional control of the vehicle in difficult driving conditions. (See illustration section for Stabilitrak button location and Stabilitrak page for description)
STEERING	Electric power-assisted rack and pinion (see illustrations section for description)
SUSPENSION, FRONT	Coil-over-shock with stabilizer bar
SUSPENSION, REAR	Multi-link with coil springs with stabilizer bar
TIRE PRESSURE MONITOR	Check tire pressure will display in driver message center; also displays individual tire pressure (see illustrations section for description)
TRAILERING EQUIPMENT	SAE Class II hitch. Trailer may weigh up to 6,300 pounds with proper hitch selection. 8,400 lb Max Trailering Package (NHT) optional. See the Owners Manual for additional information.
TRANSMISSION	Enhanced calibration 6-speed automatic with overdrive and tow/haul mode. Electronically-controlled transmission provides protection against over-revving the engine in low gear and a mechanical low gear blockout is not required; if a driver manually selects low gear and fails to manually upshift to high gear, the powertrain control module automatically protects the drivetrain.
TRANSFER CASE	Autotrac, 2-speed electronic with rotary control, includes neutral position for dinghy towing (2HI, 4AUTO, 4HI, 4LO, and Neutral setting) See owners manual procedure for shifting into N (Neutral) and shifting out of N (Neutral).
UNDER BODY SHIELD, FRONT	Two piece heavy-duty aluminum front underbody shield starting behind front bumper and running to 2nd cross-member protecting front underbody and oil pan (see illustrations section for description)
WARRANTY	See Maintenance and Warranty section for description

1. E85 is 85% ethanol and 15% gasoline.

POWERTRAIN

ENGINE				TRANSMISSION		AXLE	
OPTION CODE	TYPE	DISPLACEMENT LITERS/CU. IN.	FUEL SYSTEM	OPTION CODE	TYPE	OPTION CODE	RATIO
L83	V8	5.3/325	Active fuel management FlexFuel ¹ (gas or E85 ethanol)	MXO/MYC	6L80 6-speed auto. with OD	GU4	3.08

EMISSIONS - MUST BE SPECIFIED

FE9	FEDERAL EMISSIONS. Federal requirements
YF5	CALIFORNIA EMISSIONS. California state requirements
NE1	CT/DE/ME/MD/MA/NJ/NY/OR/PA/RI/VT/WA EMISSIONS. Connecticut, Delaware, Maine, Maryland, Massachusetts, New Jersey, New York, Oregon, Pennsylvania, Rhode Island, Vermont and Washington state requirements
NB8	EMISSIONS OVERRIDE. California (allows a dealer in states that require California emissions - California, Connecticut, Delaware, Maryland, Massachusetts, New Jersey, New York, Oregon, Pennsylvania, Rhode Island or Washington - to order Federal emissions for a vehicle that will be registered in a state that has Federal emission requirements). Do not use for vehicles that will be registered in California, Connecticut, Delaware, Maryland, Massachusetts, New Jersey, New York, Oregon, Pennsylvania, Rhode Island or Washington. Requires (FE9) Federal emissions requirements. Not available in Maine or Vermont.
NB9	EMISSIONS OVERRIDE. State-specific (for dealers ordering vehicles in (YF5) or (NE1) emission states - California, Connecticut, Delaware, Maine, Maryland, Massachusetts, New Jersey, New York, Oregon, Pennsylvania, Rhode Island, Vermont and Washington). Allows a California dealer (YF5 emissions) to order (NE1) emissions with (NB9) emissions override code for registration in (NE1) states; or, a Connecticut, Delaware, Maine, Massachusetts, New Jersey, New York, Oregon, Pennsylvania, Rhode Island, Vermont and Washington dealer (NE1 emissions) to order (YF5) emissions with (NB9) emissions override code for registration in California.
NC7	NC7 EMISSIONS OVERRIDE. Federal (for vehicles ordered by dealers in Federal emission states with (YF5) or (NE1) emissions - Not required for vehicles being shipped to California, Connecticut, Delaware, Maine, Maryland, Massachusetts, New Jersey, New York, Oregon, Pennsylvania, Rhode Island, Vermont or Washington) Requires (YF5) California state emissions requirements or (NE1) Connecticut, Delaware, Maine, Massachusetts, New York, Pennsylvania, Rhode Island or Vermont state emissions requirements
NOTE:	The 2017 Chevrolet Tahoe Police Patrol Vehicle and Special Service Vehicle with the 5.3L Engine (L83) with Emission Option Codes FE9, NE1 and YF5 is certified to EPA Tier 2 Bin 5 standards and qualifies as ULEV 125 (Ultra Low Emission Vehicle) under California Air Resources Board (CARB) requirements, meaning it is 50-state certified. Emission Standard: FFV BIN5 (LDT3-LDT4 /LDT2) EPA engine family or test group: HGMXT05.3382

STANDARD TIRES S-SPEED RATED

MANUFACTURER	QUANTITY	SIZE	SPEED RATING	TYPE
Random	5	P255/70R17	S	All season BW

NOTE: Due to specific requirements for performance durability and safety, GM recommends only the original equipment tires for replacement
Tire Plies = Tread: 2 Polyester, 2 Steel, 2 Nylon Sidewall: 2 Polyester Total 8 Ply

Tire Chains - If the vehicle has 265/65R18, P265/65R18, P275/55R20, or P285/45R22 size tires, do not use tire chains. There is not enough clearance. Tire chains used on a vehicle without the proper amount of clearance can cause damage to the brakes, suspension, or other vehicle parts. The area damaged by the tire chains could cause loss of control and a crash. Use another type of traction device only if its manufacturer recommends it for the vehicle's tire size combination and road conditions. Follow that manufacturer's instructions. To avoid vehicle damage, drive slow and readjust or remove the traction device if it is contacting the vehicle. Do not spin the wheels. If traction devices are used, install them on the rear tires. If the vehicle has P255/70R17 or P265/70R17 size tires, use tire chains only where legal and only when necessary. Use chains that are the proper size for the tires. Install them on the rear tires only. Do not use chains on the front tires. Tighten them as tightly as possible with the ends securely fastened. Drive slowly and follow the chain manufacturer's instructions. If the chains contact the vehicle, stop and retighten them. If the contact continues, slow down until it stops. Driving too fast or spinning the wheels with chains on will damage the vehicle.

1. E85 is 85% ethanol and 15% gasoline.

AVAILABLE EXTERIOR COLORS Actual colors may vary

GWT	GAN	GBA	GMU	GXG	GAZ	G1M	G1E
Champagne Silver Metallic	Silver Ice Metallic	Black	Pepperdust Metallic	Tungsten Metallic	Summit White	Blue Velvet Metallic	Siren Red Tintcoat*

*Additional charge

SEO PAINT AVAILABLE

COLOR DESCRIPTION	SEO CODE	WA#
Blue^{1, 2}	9V2	WA-5665
Woodland Green	9V5	WA-9015
Victory Red²	5T4	WA-9260
Yellow	—	WA-9414
Wheatland Yellow (86U)	9W3	WA-253A
Dark Toreador Red	—	WA-334D

Note: Will require 5 orders before sending to plant
 1 – Includes two openings in front fascia. Recovery hooks (V76) recommended for customers installing after-market push bars.
 2 – Requires SEO (5T4) exterior body color parts

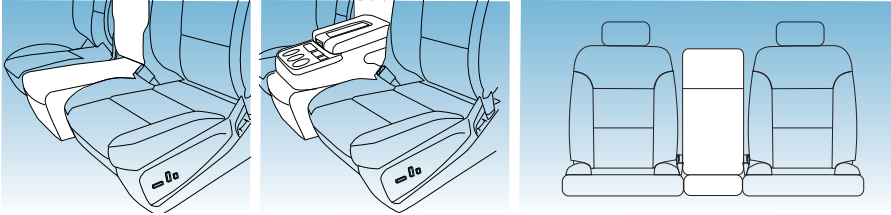
AVAILABLE INTERIOR COLOR Actual colors may vary

HOU	5T5
Black Cloth	Black Vinyl

FRONT SEATS AND INTERIOR TRIM

STANDARD

Cloth front 40/20/40 Individual Seats (AZ3) 3-Occupant, Center seat can be unbolted for removal. Center fold-down armrest with USB, Auxiliary Jack and Auxiliary Power connection and lockable seat cushion storage. STANDARD 10-way power driver seat, includes power lumbar and power recline. STANDARD 6-way power front passenger seat. Outboard seat back thoracic-pelvic airbags.

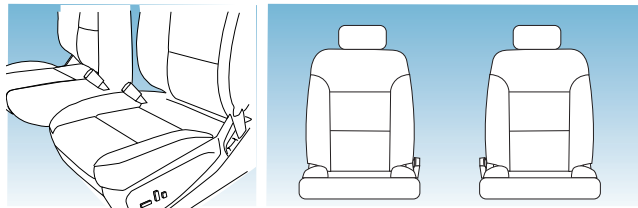


Seat Code	Seat Trim	Color	Color Code
AZ3	Cloth	Jet Black	HOU

- Front cloth and vinyl rear seat combination is available by ordering option 5T5 and requires Jet Black (HOU)
- Center seat can be unbolted for removal

OPTIONAL - SEO 9U3 20% SEAT DELETE

Cloth Front 40/40 Individual Seats (AZ3 & Option 9U3) Deletes center seat to provide 15" of open space between Driver and Passenger Seat. STANDARD 10-way power driver seat, includes power lumbar and power recline. Outboard seat back thoracic-pelvic airbags. STANDARD 6-way power front passenger seat. A separate cable and connection kit for the USB, Auxiliary Jack and Auxiliary Power is provided in the vehicle when the center seat is deleted.

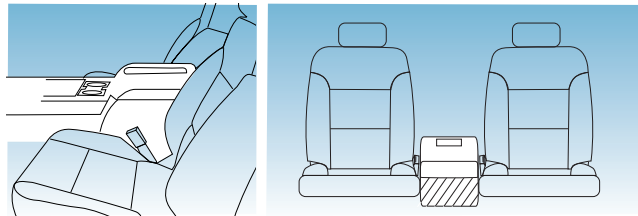


Seat Code	Seat Trim	Color	Color Code
AZ3 & 9U3	Cloth	Jet Black	HOU

- Front cloth and vinyl rear seat combination is available by ordering option 5T5 and requires Jet Black (HOU)

OPTIONAL - A95 BUCKET SEATS

Cloth Bucket Seats with Console (Option A95) driver and Passenger Front Bucket Cloth Seats, with integrated retail console. 10-way Power Driver and Passenger Seats with Outboard-Seat Back Pelvic Airbag and driver seat-mounted Front Center Airbag. **Not recommend for vehicles intended to be up-fitted with aftermarket equipment.**



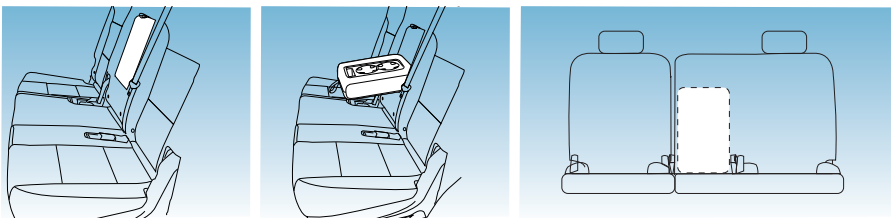
Seat Code	Seat Trim	Color	Color Code
A95	Cloth	Jet Black	HOU

- Front cloth and vinyl rear seat combination is available by ordering option 5T5 and requires Jet Black (HOU)
- Console cannot be deleted
- SD card reader not available

REAR SEATS AND INTERIOR TRIM

STANDARD

Cloth Second Row 60/40 Split-folding Bench Seat (AT6) Includes folding center armrest with cup holder

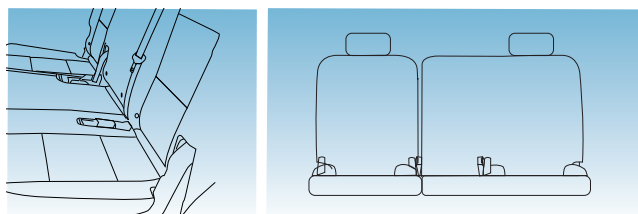


Seat Code	Seat Trim	Color	Color Code
AT6	Cloth	Jet Black	HOU

- Color is based on front seat choice

OPTIONAL - SEO 5T5 VINYL REAR SEAT

Vinyl Second Row 60/40 Split-folding Bench Seat (Option 5T5)



Seat Code	Seat Trim	Color	Color Code
5T5	Vinyl	Jet Black	HOU

- Front cloth and vinyl rear seat combination is available by ordering option 5T5 and requires Jet Black (HOU)

NOTE: Third row seating is not available and roof rail airbags extend into cargo area (see airbag dimensions).

OPTIONAL EQUIPMENT & FEATURES

INTERIOR

UT9	CONTENT THEFT ALARM DISABLE - Flashing lamps and horn warning disable (To avoid inadvertent alarm activation this option is recommended for customers that do not intend on using keyless entry remote fobs)
B30	FLOOR COVERING - Color keyed carpeting (includes rear cargo floor)
B58	FLOOR MATS - Color keyed carpeted front and 2nd row included and only available with B30 Floor Covering (not available with vinyl floor covering)
VAV	FLOOR MATS - All weather (Dealer Installed) Requires (B30) floor covering
UT7	GROUND STUDS - Two interior mounted left and right side M10 studs in cargo area. Driver side includes 5 feet of 8 gauge ground wire.
6E2	KEY COMMON - All vehicles in fleet, provides a single key cut with a specific code that is common to the door lock and ignition of all the vehicles in the vehicle fleet; this key code is an alternate to SEO 6E8 key common, complete vehicle fleet; An unlimited number of ignition keys may be programmed to a vehicle. Not compatible with Caprice or Impala. Not compatible with 2014 or older Tahoe.
6E8	KEY COMMON - All vehicles in fleet, provides a single key cut with a specific code that is common to the door lock and ignition of all the vehicles in the vehicle fleet; this key code is an alternate to SEO 6E2 key common, complete vehicle fleet; An unlimited number of ignition keys may be programmed to a vehicle. Not compatible with Caprice or Impala. Not compatible with 2014 or older Tahoe.
AMF	KEYLESS ENTRY TRANSMITTERS - Fleet Package includes 6 additional transmitters. Transmitters are not programmed. Each transmitter, including the two standard with the vehicle, must be programmed together by the customer or a dealer at customer expense. Transmitter programming is not a warranty item. See illustration section for programming remote key transmitter instructions. Vehicle specific, common fleet transmitter frequency is not available
5HP	KEYS - 6 additional, keys are not programmed to vehicle. Each key, including the 2 delivered with the vehicle, must be programmed at the same time by the customer or a dealer at customer expense. Key programming is not a warranty item. A maximum of 8 random code keys can be programmed. If a key is lost, all remaining keys must be reprogrammed with the replacement key. See illustration section for key programming instructions.
6C7	LAMP, AUXILIARY DOME - Red and white LED dome lamp is located on the headliner between front row seats. Wired independently from standard dome lamp.
UED	ONSTAR DELETE - BLUETOOTH CELL PHONE CONNECTIVITY, COMPASS AND WI-FI ARE DELETED WHEN ORDERED (not recommended)
ROV	ONSTAR WITH 4G LTE FOR FLEET - 12GB/12 months, provides a built-in Wi-Fi hotspot to connect to the internet at 4G LTE speeds, includes AT&T 12GB data plan good for 12 months. Requires (UE1) OnStar and (VV4) OnStar with 4G LTE and one of the following order types FLS, FNR, FRC, FBC, FGO or FEF. Not available with ROW. Visit www.onstar.com for vehicle availability, details and system limitations. Services and connectivity may vary by model and conditions. 4G LTE service available in select markets. 4G LTE performance based on industry averages and vehicle systems design. Some services require data plan.
ROW	ONSTAR WITH 4G LTE FOR FLEET - 24GB/24 months, provides a built-in Wi-Fi hotspot to connect to the internet at 4G LTE speeds, includes AT&T 24GB data plan good for 24 months. Requires (UE1) OnStar and (VV4) OnStar with 4G LTE and one of the following order types: FLS, FNR, FRC, FBC, FGO or FEF. Not available with ROV. Visit www.onstar.com for vehicle availability, details and system limitations. Services and connectivity may vary by model and conditions. 4G LTE service available in select markets. 4G LTE performance based on industry averages and vehicle systems design. Some services require data plan.
JF4	PEDALS - Power-adjustable for accelerator and brake
6N6	REAR DOOR LOCKS AND HANDLES INOPERATIVE - Rear power locks are inoperable at rear door but operate from drivers position, rear doors can be opened only from outside
6N5	REAR DOOR WINDOW SWITCHES INOPERATIVE - Rear windows only operate from drivers position
BTV	REMOTE VEHICLE STARTER SYSTEM - Includes remote keyless entry
9U3	SEAT DELETE FRONT CENTER - Front center seat (20% seat) delete, Power driver and passenger bucket seats in base cloth trim. Derived from RPO (AZ3) 40-20-40 split bench seat with the 20% section removed. Does not include a floor console. All exposed floor area will remain untrimmed. Not available with (A95) Bucket Seats. A separate cable connection kit for the USB, Auxiliary Jack and Auxiliary Power is provided in the vehicle when the center seat section is deleted for installation by customer/upfitter in aftermarket console.
A95	SEAT & CENTER CONSOLE - Driver and Passenger Front Bucket Cloth Seats, with integrated retail console. 10-way Power Driver and Passenger Seats with Outboard-Seat Back Pelvic Airbag and Driver Inboard Seat Back Airbag. Not recommend for vehicles intended to be up-fitted with aftermarket equipment.
5T5	SEAT - Front cloth with vinyl rear seat (see front seats and interior trim illustration page for description)
VRS	SHADE - Cargo security
TGK	SPECIAL PAINT SOLID - One color all normally body-colored non-sheet metal parts will be gloss Black. This includes front and rear facias, liftgate handle and applique, D-pillars and upper liftgate applique. Mirrors and door handles will be grained Black parts. B85 body-side moldings are not available except with SEO option 5T4 exterior body-colored parts. Required with any SEO paint selection (may require extended lead time)

OPTIONAL EQUIPMENT & FEATURES

EXTERIOR

B86	BODY SIDE LOWER DOOR MOLDINGS - Body color (Not available with B85 or 01U special paints)
B85	BODY SIDE LOWER DOOR MOLDINGS - Chrome (Not available with B86)
9G8	DELETE DAYTIME RUNNING LAMPS AND AUTOMATIC HEADLAMPS - Exterior lamps are operated manually and automatic headlamps deleted. (See Surveillance Feature Manual Lamp Control in standard illustration section)
5T4	EXTERIOR BODY COLOR PARTS - SEO 5T4 Exterior body colored parts. Victory Red special painted exterior body parts in lieu of glossy Black color normally installed with special painted bodies, Victory Red painted parts will consist of front fascia, rear bumper fascia, rear liftgate handle, and door handles. Mirrors, rear D-pillar appliqué and liftgate spoiler will remain Black. Requires SEO (TGK) special paint solid, special paint color Victory Red WA-9260 and (V76) recovery hooks.
GM1	EXTERIOR BODY COLOR PARTS - Blue Velvet Metallic, special paint WA-722J applied to front fascia, rear bumper fascia, rear liftgate handle and liftgate appliqué above license plate. Door Handles, Mirrors, rear D-pillar appliqué and liftgate spoiler will remain Black. Includes opening in front fascia without recovery hooks (requires TGK special paint solid) Recovery hooks (V76) optional.
9V2	EXTERIOR BODY COLORED PARTS - Blue WA-5665 applied to front and rear fascia all other non-metal body parts will remain black, same as (TGK) special paint solid. Includes opening in front fascia without recovery hooks (requires TGK special paint solid) Recovery hooks (V76) optional.
6J7	FLASHER SYSTEM HEADLAMPS AND TAIL LAMPS - DRL compatible, headlamp flasher module with control wire to permit separate front and rear lamp flashing
AKP	GLASS - NON-TINTED GLASS- Solar absorbing (replaces deep-tinted glass on rear doors and cargo area)
VK3	LICENSE PLATE - Front mounting package (included on orders with ship-to states that require front license plate) See illustrations section for description
V76	RECOVERY HOOKS - Two black front frame-mounted, recommended if front push bumper is to be installed (required on all models sold to Alaska, Guam, Hawaii, Puerto Rico and Virgin Islands)
VQK	SPLASH GUARDS - Molded black
7X6	SPOTLAMP - Left hand, separately fused, Not available with (7X7) left and right-hand spotlamps (see illustrations section for description)
7X7	SPOTLAMPS - Left and right hand, separately fused (see illustrations section for description)
S6N	TRAILER HITCH INSERT - Black rubber square with a logo that closes out the receiver see illustrations section for description (Dealer installed)
R18	TIRES - 265/65R18 blackwall Goodyear Wrangler DuraTrac. Aggressive tread may result in a higher level of noise while driving. Routine tire rotations are strongly recommended. Requires SEO (9G3) Off-Road Suspension Package.
RC3	TIRES - P265/70R17 all-terrain, blackwall. Not available with (NHT) Max Trailering Package.
RKX	TIRES - P265/65R18 all-season blackwall. Requires option (PZX) 18 inch aluminum wheels. Required with (NHT) Max Trailering Package.
4JQ	TIRE - Spare P265/70R17 all-terrain, blackwall (Requires RC3 all-terrain tires).
PZX	WHEELS - 18 in. x 8.5 in. (45.7 cm x 21.6 cm) aluminum with high-polished finish. Requires (R18) or (RKX) P265/65R18 all-season, blackwall tires. Required with (NHT) Max Trailering Package. (See illustrations section for description)

ELECTRICAL

WX7	WIRING - For customer connection to front door and windshield pillar speakers. Front speakers are not connected to the vehicle radio; radio audio signals are routed to the rear speakers
6J3	WIRING - For grille lamps and siren speaker
6J4	WIRING - For horn/siren circuit, in-line connection for customer furnished switch
UT7	GROUND STUDS - Two interior mounted left and right side M10 studs in cargo area. Driver side includes 5 feet of 8 gauge ground wire.

CHASSIS

R9Y	FLEET FREE MAINTENANCE CREDIT - This option code provides a credit in lieu of the free oil changes, tire rotations and inspections (2 maximum), during the first 24 months and 24,000 miles period for this ordered vehicle. The invoice will detail the applicable credit. The Customer will be responsible for all oil changes, tire rotations and inspections cost for this vehicle. NOTE: Dealer is unable to credit customer on vehicles not originally ordered with (R9Y) option.
K05	HEATER - Engine block
9G3	SUSPENSION PACKAGE - Off-Road, includes (K47) High capacity air cleaner and (NZZ) Skid Plate Package. Requires (RC3) P265/70R17 all-terrain, blackwall tires or (R18) 18" Goodyear Wrangler DuraTrac 265/65R18 blackwall tires with aggressive tire tread. Not available with (NHT) Max Trailering Package.
GU6	REAR AXLE - 3.42, Requires (NHT) Max. Trailer Towing Package
NHT	TRAILERING PACKAGE, MAX - Includes (GU6) 3.42 rear axle, (JL1) trailer brake controller, and (Z85) suspension package (Requires PZX aluminum wheels and RKX 18 in. all-season tires) Increases standard Maximum Trailer Towing from 6400 lbs to 8400 lbs.

Note: Factory installation of spotlamps are recommended. Special tooling is used to locate and drill the spotlamp shaft hole in the pillars. (Interior trim covers provided with factory installed lamps are not available as service parts). Field installation of spotlamps must not interfere with proper deployment of the roof rail airbag in the event of a crash.

SPECIFICATIONS

GENERAL

Model	CK15706
Drive	4-wheel
Projected top speed ⁷ (without equipment)	112 mph
Projected top speed in reverse ⁷ (without equipment)	49 mph

EXTERIOR (in./mm)

Wheelbase	116.0/2946
Overall length	204.0/5182
Overall width	80.5/2045
Overall height*	74.4/1890
Lift in height (Top of load floor to ground)	35.91/912
Step-in height	22.0/559
Front track width	68.7/1745
Rear track width	68.7/1744
Turning diameter curb to curb (ft./m)	TBD
Ground clearance* (rear axle)	10.7/272
Air intake height	37.4/950

FRONT COMPARTMENT (in./mm)

Head room (Maximum)	42.8/1087
Shoulder room	64.8/1646
Hip room	60.8/1544
Leg room (Maximum)	45.3/1151

REAR COMPARTMENT (in./mm)

Head room	38.7/983
Shoulder room	65.1/1654
Hip room	60.2/1531
Leg room	39.0/991

CARGO

Load floor length to center of front seat at floor (in./mm)	83.4/2118
Load floor length to center of front seat at top of seat (in./mm)	79.9/2029
Load floor length to center of 2nd seat at floor (in./mm)	49.9/1268
Load floor length to center of 2nd seat at top of seat (in./mm)	43.2/1097
Inside width between wheel house (in./mm)	49.3/1252
Cargo area height (in./mm)	40.9/1039
Cargo volume ¹ maximum behind front seat (cu. ft./liters)	111.8/3167
Cargo volume ¹ maximum behind second seat (cu. ft./liters)	55.0/1557

NOTE: For additional dimensional data go to: gmupfitter.com

PASSENGER COMPARTMENT VOLUME INDEX (cu.ft./liters)

Passenger compartment volume index	120.7/3418
------------------------------------	------------

FUEL ECONOMY RATINGS CITY/HIGHWAY/COMBINED

5.3L engine 4X4 ²	16/22/18
------------------------------	----------

Projected EPA label values, actual mileage will vary with options, driving conditions, driving habits and vehicle's condition.

VEHICLE WEIGHT (lbs./kg.)

Seat Type	40/20/40 (Std.)	40/40 (Opt.)
GVWR ³ (Gross Vehicle Weight Rating)	7300/3311	7300/3311
FGAWR (Front Gross Vehicle Weight Rating)	3600/1633	3600/1633
RGAWR (Rear Gross Vehicle Weight Rating)	4100/1860	4100/1860
Base curb weight ⁴	5602/2541	5564/2524
Payload ⁵	1670/757	1708/775
Max. Trailer Towing ⁶ Standard	6400/2903	6400/2903
Max. Trailer Towing ⁶ Optional	8400/3810	8400/3810

NOTE: See owner's manual supplement for loading information

- Cargo and load capacity limited by weight and distribution.
 - EPA-estimated MPG.
 - Gross Vehicle Weight Rating (GVWR). When properly equipped, includes vehicle, passengers, cargo and equipment.
 - Vehicle weight in operational status with 100% fuel, fluids to factory fill, and standard base equipment. Does not include driver, passenger or optional content.
 - These maximum payload ratings are intended for comparison purposes only. Before you buy a vehicle or use it to haul people or cargo, carefully review the vehicle loading section of the Owner's Manual and check the carrying capacity of your specific vehicle on the label on the inside of the driver's door jamb.
 - Maximum Trailer Towing ratings are calculated assuming a minimally equipped vehicle plus options necessary to achieve the rating plus driver. The weight of other optional equipment, passengers and cargo will reduce the Maximum Trailer Towing your vehicle can tow. See Order Guide for additional information.
 - Adding non dealer accessories or modifications to the vehicle can affect vehicle performance, aerodynamics, and overall top speed.
- *Published dimensions indicated are at Base Curb Weight.

SPECIFICATIONS

ENGINE

	STANDARD
Type	EcoTec3 V8
Displacement: liters/cu. in.	5.3/325
Horsepower/rpm	355 @ 5600
Torque lb.-ft./rpm	383 @ 4100
Induction system	Direct Injection
Compression ratio	11.0:1
Exhaust	Single
Minimum recommended fuel octane	87
Fuel tank capacity (gallons/liters)	26/98
Oil with filter (quarts/liters)	8.0/7.6
Cooling capacity (quarts/liters)	18.1/17.1

TRANSMISSION

Automatic electronic with overdrive	6-speed
Fluid pan removed and filter replaced (quarts/liters)	6.0/5.7

AXLE

Ratio	3.08
-------	------

BRAKES

ABS with vacuum-boost	Disc/Disc
Front-swept area (sq. in./sq. cm)	256.6/1655
Rear-swept area (sq. in./sq. cm)	248/1600
Total front and rear swept area (sq. in./sq. cm)	504.6/3255
Front rotor diameter (in./mm)	13.0/330
Rear rotor diameter (in./mm)	13.5/345
Front rotor thickness (in./mm)	1.2/30
Rear rotor thickness (in./mm)	.79/20

TIRES

Type	'S' Rated, all season
Size	P255/70R17

WHEELS

Type	Steel
Size	17" x 8"

CHASSIS

Frame	Full perimeter steel
Front suspension	SLA (Short Long Arm) with coil over shock and stabilizer bar
Rear suspension	Multi-link, coil springs and stabilizer bar
Steering type	Electric power-assisted rack and pinion
Steering ratio	17.75:1

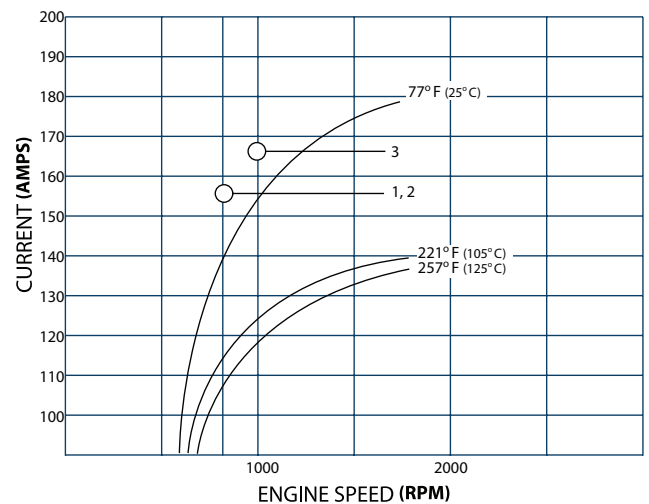
BATTERIES

	PRIMARY	AUXILIARY
Type	Maintenance free	Maintenance free
BCI group size	LN4	LN3
Volts	12	12
Amp hour rating	80	70
Cold cranking-amps @ 0°F (-18°C)	720	730

ALTERNATOR

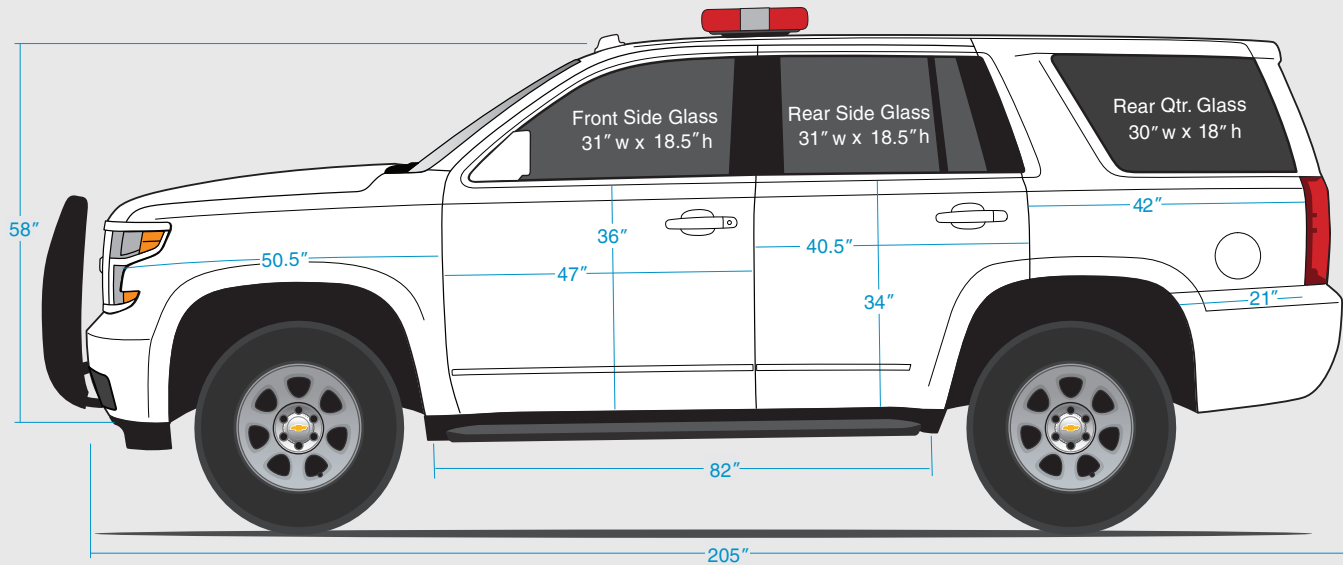
Type	Denso SC3
Amps	77°F (25°C) 170

TAHOE SSV ALTERNATOR OUTPUT

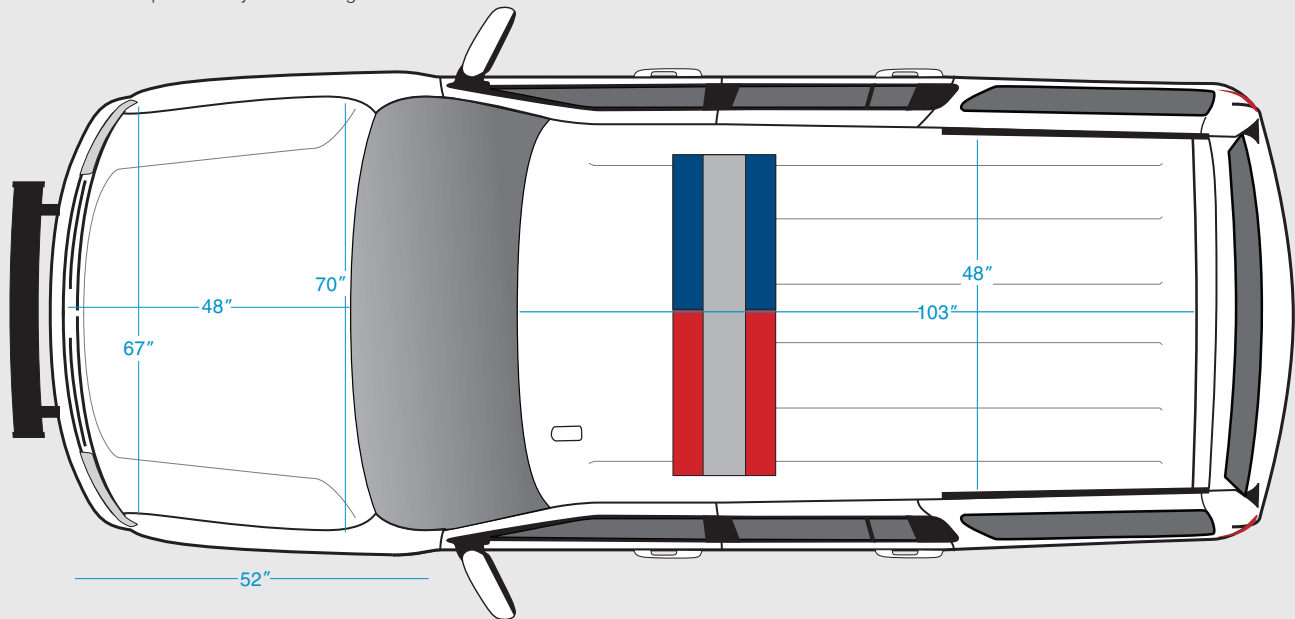


BOOST LEVEL	PARK/NEUTRAL	DRIVE
Normal Idle	550	500
1	800	650
2	800	725
3	1000	800

EXTERIOR DIMENSIONS

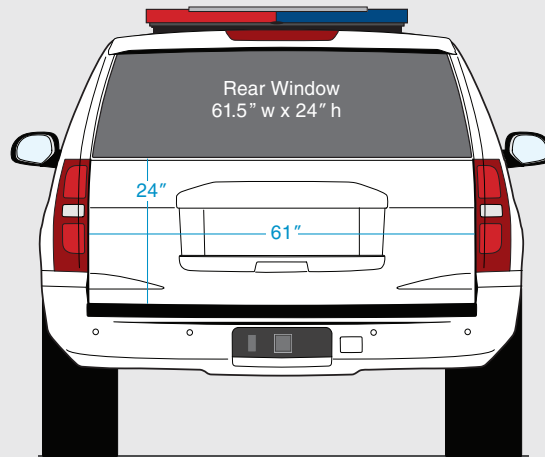


Shown with optional body side moldings



Estimated material sizes to wrap:

- Hood – 72" x 52"
- Front Doors – 50" x 38"
- Rear Doors – 42" x 36"
- Roof – 110" x 55"
- Rear hatch – 63" x 26"



WHEEL & TIRE PACKAGES

STANDARD ALL-SEASON TIRE



Standard 17" Steel Wheel & Random All-Season P255/70R17 Tire

RC3

ALL-TERRAIN TIRE



Optional 17" All-Terrain P265/70R17 Tire

PZX

ALUMINUM 18" WHEEL



Optional 18" Polished Aluminum Wheel with All-Season P265/65R18 Tire

R18

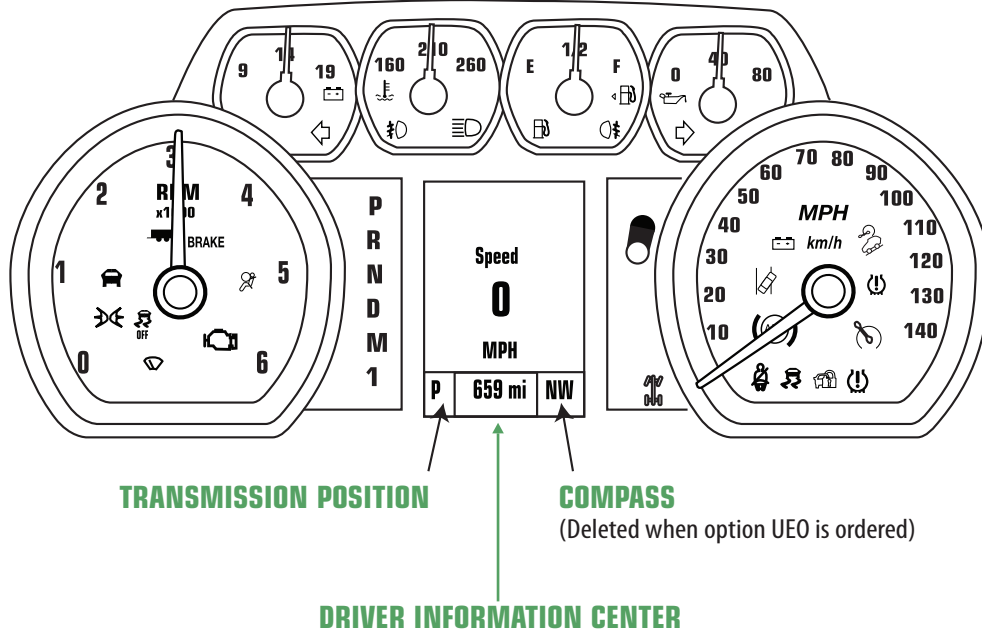
AGGRESSIVE TREAD TIRE



Goodyear Wrangler DuraTrac 265/65R18 Tire

*Shown with optional SPLASH GUARDS, MOLDED

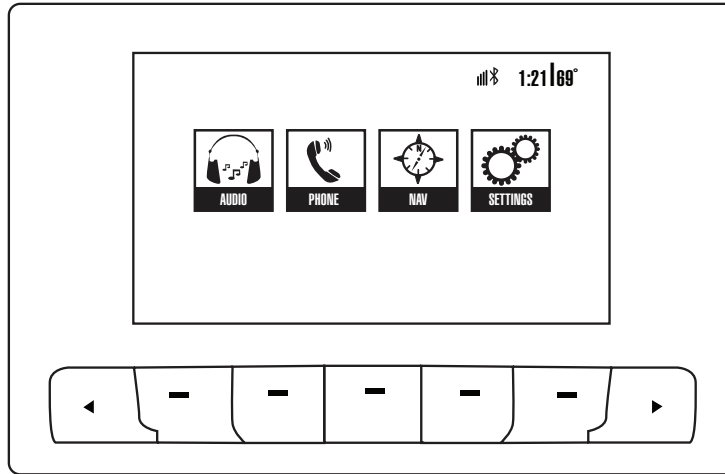
UNITED STATES SPEEDOMETER/CLUSTER (CANADIAN SIMILAR)



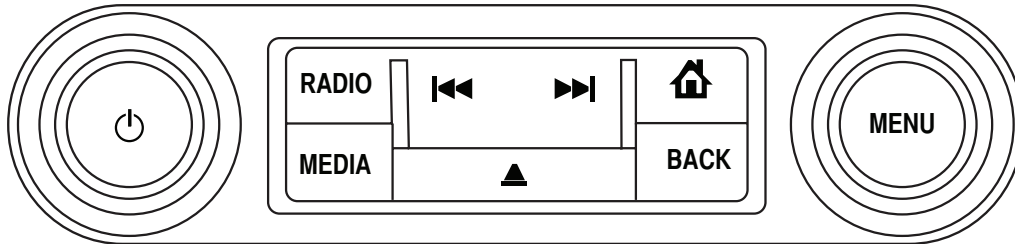
Access DIC Menu Items via Trip Odometer Reset Stem

DIGITAL SPEEDOMETER
TRIP
FUEL RANGE
AVERAGE FUEL ECONOMY
TIRE PRESSURE
REMAINING OIL LIFE
RELEARN REMOTE KEYS
TRANSMISSION FLUID TEMPERATURE
ENGINE HOURS
UNIT

RADIO DISPLAY SCREEN



RADIO CONTROLS



MENU DESCRIPTION



Audio

AM

FM

CD

USB

AUX Input



OnStar Bluetooth

Recent Calls

Contacts

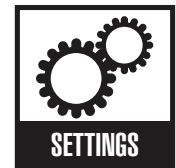
Keypad

Manage Phones



Navigation

Turn by turn route directions will be displayed (map view not available)



Time

Language

Valet Mode

Radio

Vehicle

Climate and Air Quality

Collision/Detection System

Comfort and Convenience

Lighting

Power Door Locks

Remote Lock/Unlock/Start

Display

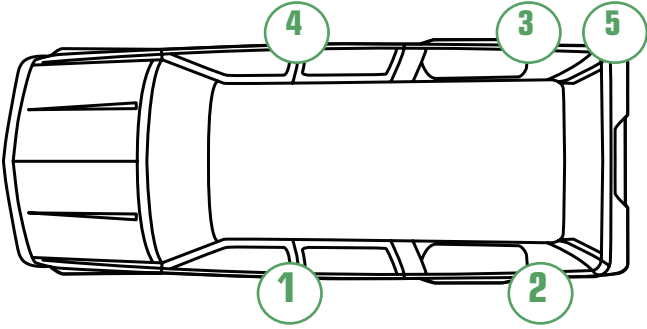
Rear Camera

Return to Factory Settings

Remote keyless entry/lock feedback and courtesy exit lighting is programmable through radio menu settings. Factory default condition for fob feedback and exit lighting is enabled in Surveillance Mode.

STANDARD EQUIPMENT

RADIO SUPPRESSION GROUND STRAPS



Police Package is equipped with additional grounding in the following locations:

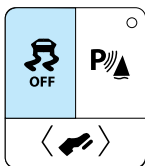
1. Left hand front frame body mount bracket to underbody
2. Left hand rear frame body mount bracket to rear underbody
3. Right hand rear frame body mount bracket to rear underbody
4. Right hand front frame body mount bracket to underbody
5. Exhaust pipe hanger rod to rear frame hanger

SERVICE PARTS IDENTIFICATION LABEL

SERVICE PARTS IDENTIFICATION												DO NOT REMOVE	
1GNLC2E0BR8152140												PDBJCH	CC10706
AGK	AG2	AL0	AMF	AP3	AR9	AT8	AXJ	AY0	A75	A76			
BDR	B3B	B42	B86	B9V	C67	DK2	EF7	E2C	FE9	FR9			
IPG	JA9	JL9	KD1	KG4	LGD	MX0	M15	NK5	NT7	N99			
OST	QPP	R7V	R9N	R9Z	SLM	T53	UH8	UJM	UN9	UT7			
UW6	UIC	U77	VT7	V8D	WL9	ZFH	1SZ	19C	41U	191			
3FL	6A3	6E2	6HP	6J1	6J3	6J4	6J7	7B3	7HP	7M9			
7X6	8MZ	PPV	9MZ										
BC/CC		U	636R										

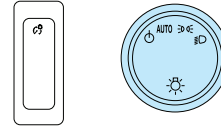
A Service Parts Identification (SPID) Label provides Vehicle Identification Number (VIN)-specific Option Code content list, Engineering Model Number (Nameplate, body style), Exterior paint system, Exterior paint color code and Interior trim level and color. The SPID label for the Tahoe is located on the inner surface of the instrument panel storage compartment (glove box).

STABILITRAK CONTROL



The Stabilitrak Stability Control System control button is located to the left of steering column on the instrument panel. See your Owner's Manual for an operation description of the stability control system. (shown with optional power adjustable pedals) See Stabilitrak page for description

SURVEILLANCE FEATURE MANUAL LAMP CONTROL AND 9G8



The headlamp control on the driver's side of the instrument panel operates the exterior lamps. If your Tahoe does not have option 9G8, DELETE DAYTIME RUNNING LAMPS and AUTOMATIC HEADLAMPS, the Daytime Running Lamps and Automatic Headlamps can be turned OFF for one ignition cycle by rotating the headlamp control knob momentarily counter-clockwise. See also Section 3 of your Tahoe Owner's Manual.

Surveillance Feature – The Body Control Module (BCM) has been calibrated to provide disabling of the exterior and interior automatic lighting. The BCM is located under the instrument panel to the left side of the steering column.

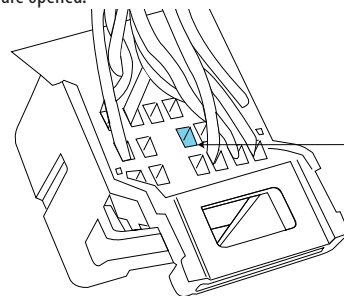
The Surveillance Feature can be connected by installing a terminated wire in cavity 18 of the Light Blue colored BCM connector, X2. The wire and terminal part number to be installed is GM #13582297. When a customer-provided terminated wire is properly installed in X2-18 and the wire is connected via a customer-provided switch to vehicle ground, automatically controlled lighting is disabled or dimmed to minimum Federally regulated level.

Option SEO 9G8 – Delete Daytime Running Lamps and Automatic Headlamps. This option disables the Daytime Running Lamps and Automatic Headlamps control feature. Exterior lamps are only manually controlled (Option 9G8 is not available in Canada).

When the headlamp switch is in Auto with 9G8 installed, the instrument cluster, radio display and air conditioning illumination remains at daytime intensity and are dimmable only when the headlamp switch is rotated to the Parking Lamps or Headlamps positions. If SEO 9G8 is not installed, the displays are dimmable with the Headlamp switch in the AUTO position. The instrument cluster, radio and AC displays will dim if the Surveillance Feature is activated as described above.

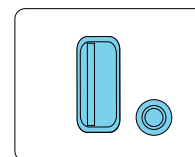
Interior courtesy lamps, including dome lamps, can be turned OFF with a three-position switch located in the front overhead console. The interior lamp control positions are: OFF – DOOR – ON

When the switch is in the OFF position, all interior lighting remains off whenever the doors or liftgate are opened.



CAVITY 18

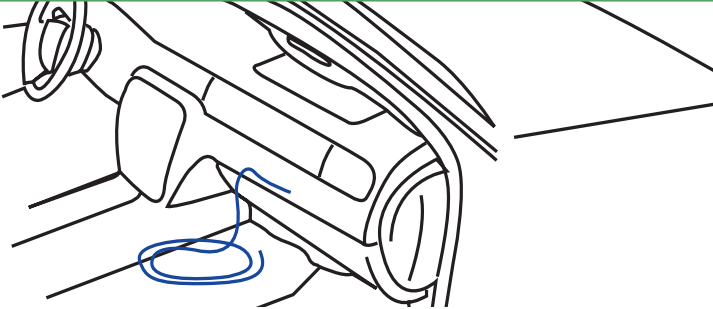
USB AND AUXILIARY JACK LOCATION



Vehicles ordered with Option 9U3, Delete Center Seat, will have a separate cable connection kit provided in the vehicle for the USB, Auxiliary Jack and Auxiliary Power connection.

STANDARD EQUIPMENT

WIRING PROVISIONS FOR 12-VOLT BATTERY POWER SUPPLY



The vehicle is equipped with wiring provisions for connecting 12-volt battery power to customer installed equipment. Refer to the following information when adding electrical accessories that will use the 12-volt power supply circuits connected to the vehicle's electrical system. A wiring harness is located below the instrument panel (IP) near the center of the vehicle and another connection point is located in the left rear of the cargo area.

The 12-volt battery power for customer connection is supplied from the Primary vehicle battery via control relays to four blunt cut 30-amp circuit wires and from an Auxiliary battery via one blunt cut 50-amp circuit wire in the harness under the center IP. A blunt cut ground wire is also included in the front harness. A 100-amp Rear Electrical Center (REC) stud is located in the left rear cargo area.

The Primary battery is located at the right rear of the engine compartment and the Auxiliary Battery is located at the left front of the engine compartment. The Auxiliary Battery is connected to the vehicle charging system via a relay which is closed when the ignition is ON.

Four 30-amp control relays and 30-amp fuses are located in the Underhood Electrical Center (UEC).

Also in the UEC are two 5-amp fuses which connect control relay coils 1 & 2 and control relay coils 3 & 4 to the UEC primary battery bus. Refer to the UEC label showing the 5-amp fuse locations 69 and 77, labeled "R/C" for Run/Crank power and locations 70 and 78, labeled "V/Batt" for primary battery power.

The 5-amp fuses for the control relays can be positioned to operate all relays from the ignition buss or primary battery buss or one pair on ignition and one pair on battery. See also Bulletin #118 at gmupfitter.com.

The four control relays are operated via separate blunt-cut wires located in the harness under the instrument panel and are intended to be connected via customer switching to vehicle ground. The auxiliary power control

relay control wires and the relay contact 30-amp load side wires for customer connection are identified as follows:

Blunt cut ignition control and signal wires are also included in the front harness under the center IP and between the front seats.

Control Relay Ground control wires:

- Red/White . . . Control relay 1
- Yellow/White . . . Control relay 2
- Green/Grey . . . Control relay 3
- White/Blue . . . Control relay 4

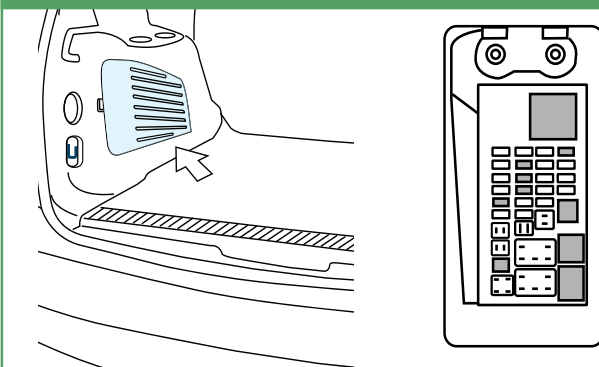
12-volt, 30-amp load wires:

- Blue . . . Control relay 1
- Grey/Black . . . Control relay 2
- Yellow/Brown . . . Control relay 3
- Red/Green . . . Control relay 4
- A Violet/Yellow circuit wire, hot in ACCESSORY/RUN. This circuit is also provided in a coil in the cargo area near the REC.
- A Violet/White circuit wire, Hot in RUN/CRANK. This circuit is also provided in a coil in the cargo area near the REC.
- A Yellow/Black circuit wire, transmission in Park signal. The circuit provides switched 12-volt power when the transmission control is in Park and the engine is running. The circuit is at 0 volts when the transmission control is in any other position, i.e., R, N, D, L. Note that the circuit is at 12-volts when the transmission is in Park and the ignition is in LOCK/OFF. To avoid the possibility of undesired parasitic electrical load when the ignition is OFF, it is recommended that the Park Signal circuit be isolated by a customer furnished ignition control relay.
- A Green/Gray circuit wire for Vehicle Speed signal providing 4000 pulses per mile. The vehicle Electronic Brake Control Module (ECBM) Vehicle Speed Signal (VSS) output circuitry does not include a logic pull-up resistance. If a pull-up resistance is not part of the customer equipment VSS input connection circuitry, a 5000 ohm resistor can be connected between the vehicle VSS circuit wire and vehicle battery power.
- A White/Blue circuit wire for 12-volts when the Service Brakes are applied.
- Blue/White wire provides a pulsating 12 volt signal when a left turn is selected
- A Yellow/Gray wire provides a pulsating 12 volt signal when a right turn is selected
- All automatic lighting can be disabled when a ground is applied via a customer-furnished wire terminated in BCM connector X2, terminal 18

A 100-amp battery voltage stud for customer connection is located in the REC at the left rear of the cargo area. The ACCESSORY/RUN (Violet/Yellow) and RUN/CRANK (Violet/White) circuits are coiled near the REC.

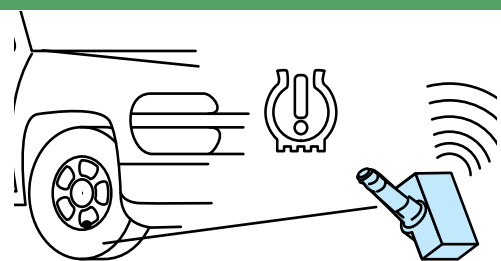
Note: Vehicles equipped with (A95) Bucket Seats will have to remove trim to access wiring

AUXILIARY BATTERY POWER REAR ELECTRICAL CENTER



A 100-amp battery voltage stud is located in the Rear Electrical Center (REC) at the left rear of the cargo area. Removal of the vented trim cover in the lower left quarter trim panel provides access to the REC, located to the rear of the jack stowage compartment. A blunt cut ACCESSORY/RUN (Violet/Yellow) circuit wire and a blunt cut RUN/CRANK (Violet/White) circuit wire are coiled near the REC. The nut on the power stud must be torqued to 9Nm+0.5 when attaching other wires to the stud. The stud adjacent to the rear of the 100 amp power stud is inactive.

TIRE PRESSURE MONITOR



The Tahoe Special Service 5W4 Package is equipped with Tire Pressure Monitor System (TPMS) which warns of low tire pressure. The Tahoe Special Service 5W4 Package has a full size spare tire without a TPMS sensor. When the spare tire from your vehicle is placed in use as a road wheel, the Low Tire Pressure light will come on and a TIRE PRESSURE LOW ADD AIR TO TIRE message will be displayed. The TPMS will warn of a low tire at the position of the mounted spare until the spare tire is replaced by a road wheel with a TPM sensor and the TPMS has been re-programmed. Refer to your owner's manual for additional information the Tire Pressure Monitor System.

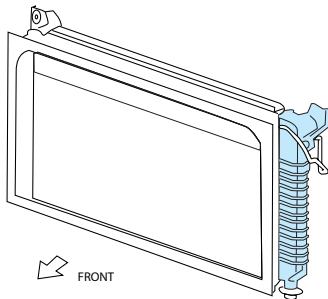
STANDARD EQUIPMENT

AERO SHUTTERS



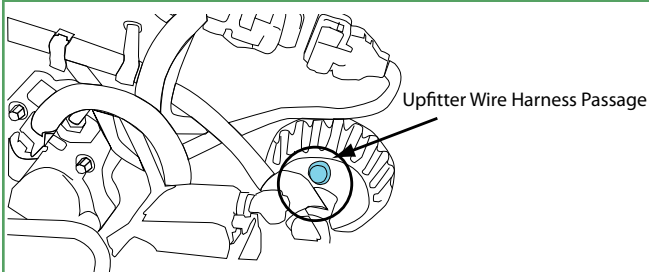
Aero shutters are designed to close when operating conditions permit. The shutters are located on the front of the A/C condenser under hood to divert airflow around the front of the truck reducing wind drag and improves fuel economy. When the cooling system requires more air flow the shutters automatically reopen, ensuring proper air flow through the radiator.

TRANSMISSION OIL COOLER



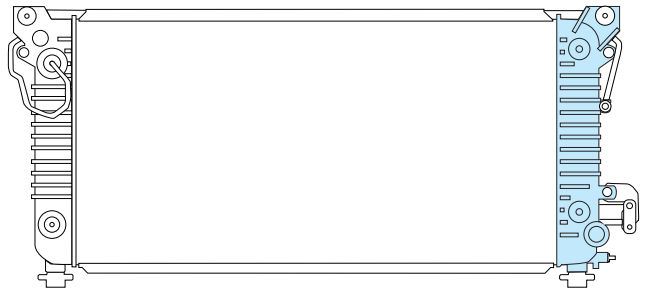
Transmission oil is pumped from the transmission through piping to an oil-to-coolant heat exchanger within the left side end-tank of the engine coolant radiator. From the engine radiator heat exchanger, the transmission oil flows through an oil-to-air heat exchanger in the upper portion of the air conditioning condenser tubing and returns to the transmission. The air conditioning condenser is located in front of the engine coolant radiator as part of the Cooling Fan and Radiator Module (CFRM) assembly.

ROUTING GROMMET



Provides pass through for small number of wires and is located at the lower left side of the front of dash. Carefully remove or puncture only the nipple portion for passage of wire and silicone seal around the wire after installation. Note that a vehicle harness connector is located at the interior side of the grommet and may interfere with passage of wire.

ENGINE OIL COOLER

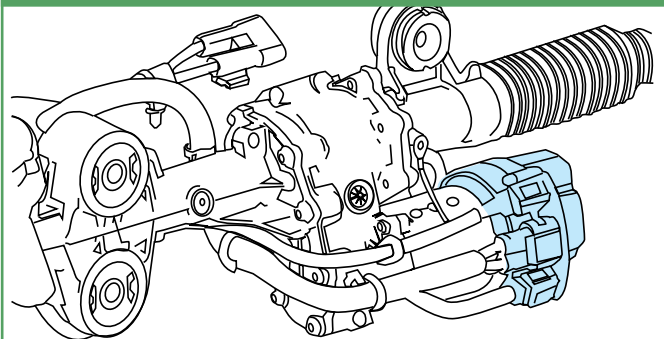


VIEW FROM ENGINE

Engine Oil and Transmission Oil are cooled by passing the fluids through separate coolers located in the engine radiator assembly end tanks and the air conditioning condenser

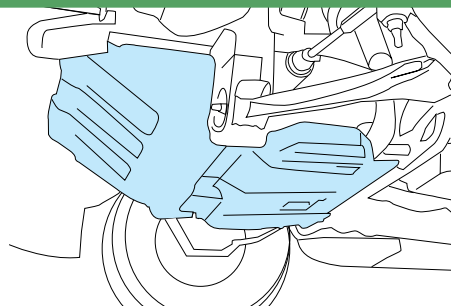
Engine oil is pumped by the engine oil pump from the right side of the engine block through piping to an oil-to-coolant heat exchanger located within the right side end-tank of the coolant radiator and returned to the engine.

ELECTRIC POWER STEERING SYSTEM



The Electric Power Steering System consists of a Rack-and-Pinion steering gear assisted by an electronically controlled power steering motor and drive assembly. The steering gear is mechanically connected to the steering wheel system.

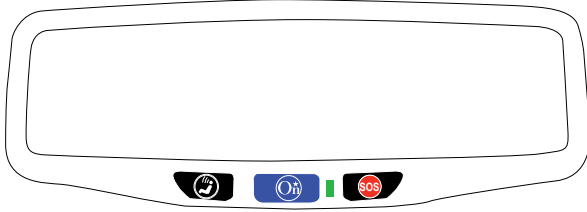
UNDERBODY SHIELD, FRONT



Two piece aluminum front underbody shield starting behind the front bumper and running to the 2nd cross-member protecting front underbody and oil pan.

STANDARD EQUIPMENT

ONSTAR



- Voice Command Button
- Blue OnStar Button
- Emergency Button

This vehicle is equipped with a comprehensive, in-vehicle system that can connect to a live OnStar Advisor for Emergency, Security, Navigation, Connection, and Diagnostic Services. OnStar services may require a paid subscription. OnStar requires the vehicle battery and electrical system, cellular service, and GPS satellite signals to be available and operating. OnStar acts as a link to existing public emergency service providers. OnStar may collect information about you and your vehicle, including location information. See OnStar's Terms and Conditions and Privacy Statement for more details including system limitations at www.onstar.com (U.S.) or www.onstar.ca (Canada). The OnStar system status light is next to the OnStar buttons. If the status light is:

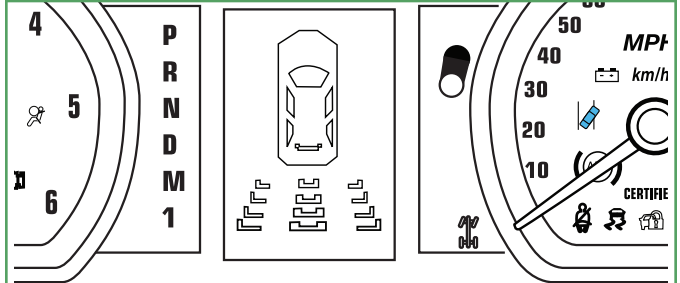
- Solid Green: System is on.
- Flashing Green: On a call.
- Red: Indicates a problem.
- Off: System is off. Press the blue OnStar button twice to speak with an OnStar Advisor.

Press or call 1-888-4-ONSTAR (1-888-466-7827) to speak to an Advisor.

- Press to:
- Make a call, end a call, or answer an incoming call.
 - Give OnStar Hands-Free Calling voice commands.

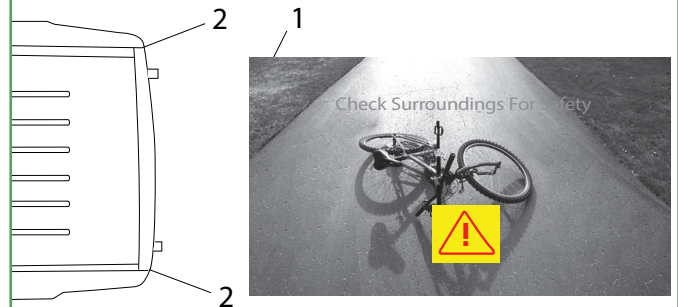
NOTE: Do not activate OnStar if you have no plans on using this feature

PROXIMITY SENSORS



The parking assist displays proximity distance bars to nearby objects. When an object is first detected in the rear, one beep will be heard from the speakers. A continuous beep will sound once object becomes very close.

REAR PARK ASSIST-AUDIBLE WARNING WITH REAR VISION CAMERA



1. View Displayed by the Camera in Radio Screen
2. Corners of the Rear Bumper

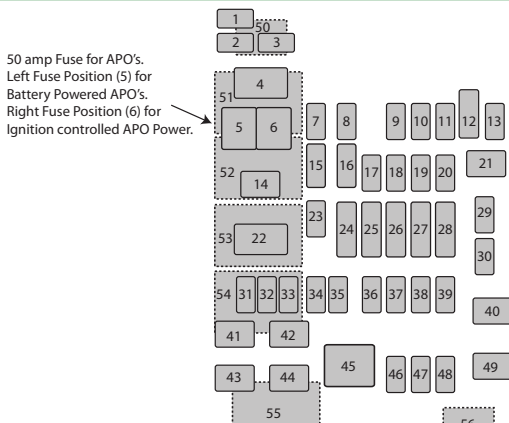
Displayed images may be farther or closer than they appear. The area displayed is limited and objects that are close to either corner of the bumper or under the bumper do not display.

A warning triangle may display on the RVC screen to show where the RPA has detected an object. This triangle changes from amber to red and increases in size the closer the object.

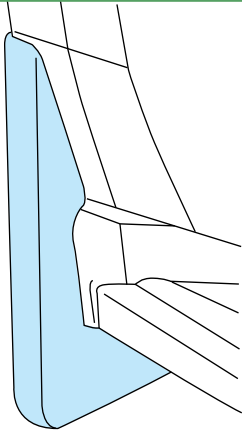
Rear Parking Assist (RPA) uses sensors on the rear bumper to assist with parking and avoiding objects while in R (Reverse). It operates at speeds less than 5 mph (8 km/h). RPA may display a warning triangle on the Rear Vision Camera screen and a graphic on the instrument cluster to provide the object distance. In addition, multiple beeps may occur if very close to an object

The RVC displays a view of the area behind the vehicle, on the center stack display, when the vehicle is shifted into R (Reverse).

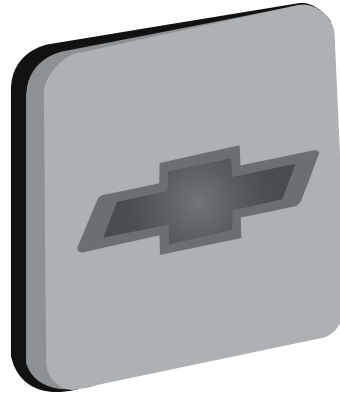
LH INSTRUMENT PANEL FUSE BLOCK



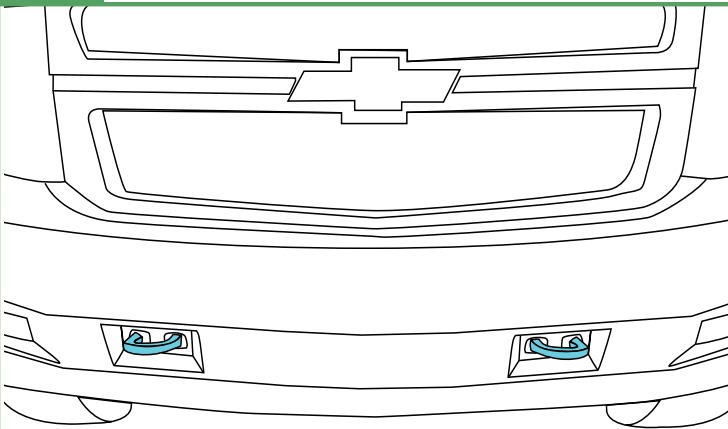
OPTIONAL EQUIPMENT

VQK
SPLASH GUARDS, MOLDED


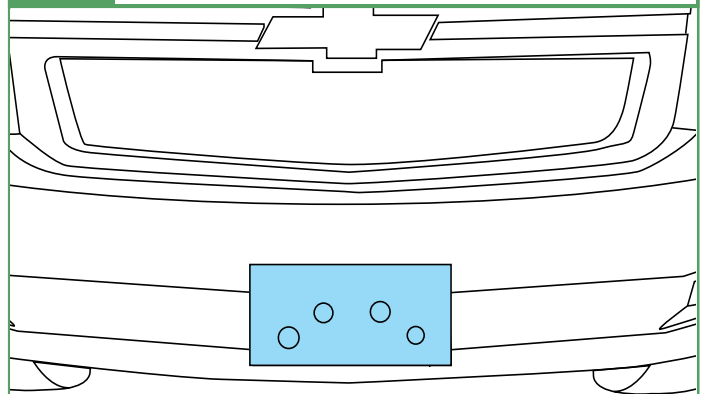
Black finish

S6N
TRAILER HITCH INSERT


Black rubber square with a logo that closes out the receiver (Dealer installed)

V76
RECOVERY HOOKS


Two black front frame mounted. Recommended if front push bumper is to be installed

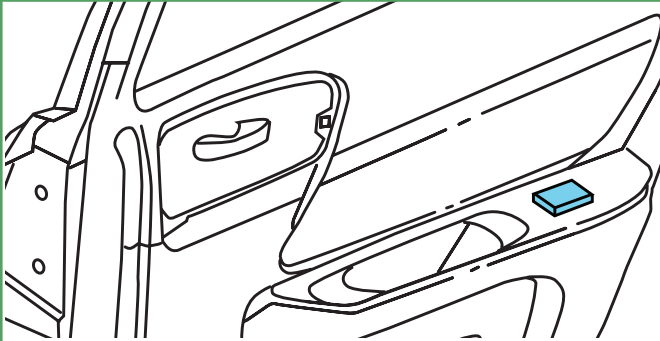
VK3
FRONT LICENSE PLATE MOUNTING PACKAGE


Includes, Bracket and mounting screws

OPTIONAL EQUIPMENT

6N5

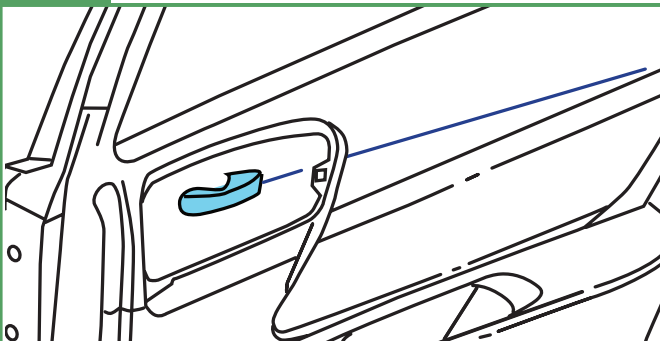
SWITCHES – REAR WINDOW INOPERATIVE



Rear door window switches are inoperable. Rear door power regulators are operable only from driver position switches.

6N6

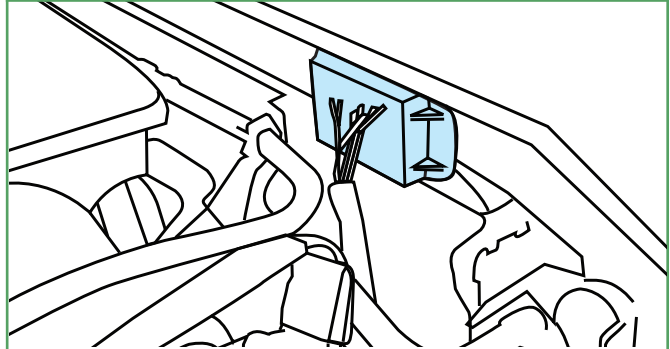
REAR DOOR LOCKS AND HANDLES INOPERATIVE



Rear door locking rods are disabled. Rear door locks are inoperable at rear doors, but operate from driver position. Inside rear door handles are disconnected. Rear doors can only be opened from the outside.

6J7

EXTERIOR LAMPS EMERGENCY FLASHING SYSTEM



Option 6J7 provides a headlamps high beam flashing module, rear lamps flashing via the Body Control Module (BCM) and a control wire for customer-furnished switching to turn the module on and off. The flasher control wire is part of the blunt-cut upfitter harness coiled under the instrument panel in the front passenger side foot well. The flashing module is located on the rear edge of the right hand upper radiator support.

The headlamp flashing module is activated by the application of 12 volts to a dark green wire in the upfitter harness connector labeled 6J3. When activated, the headlamp high beams and the high beam instrument cluster indicator will flash alternately at 3 flashes per second. When the flashing module is turned on, the module sends a signal to the BCM which alternately flashes the stop lamps and backup lamps at the same flash rate as the headlamps. Depressing the brake pedal will override the stop lamp flashing and placing the transmission in Reverse will override the backup lamps flashing.

During daylight conditions, the Daytime Running Lamps (DRL) are automatically turned off whenever the headlamps flashing module is activated. During night time conditions, the low beam headlamps automatically turn on while the high beam lamps flash. Turning on the high beam headlamps manually will override the flashing module and the high beam headlamps will operate continuously. During night time conditions the tail lamps will turn on automatically. If Option 9G8 is present the low beam headlamps and tail lamps will not come on automatically. The Center Mounted Stop Lamp will operate only when the service brakes are applied.

A 10-amp fuse labeled POLICE UPFITTER protects the flasher module circuit. The fuse is located in the Underhood Electrical Center in the engine compartment on the driver side of the vehicle. See also the Owner Manual for more information.

Activation of the headlamps flashing and rear lamps flashing can be separated by opening the blue/green BCM circuit at the flasher module connector, C196-F, and applying a customer-switched ground to the blue/green wire in the upfitter harness which exits from under the center instrument panel. Power to the green flasher module activation wire must be off for the rear lamps flashing only.

Warning:

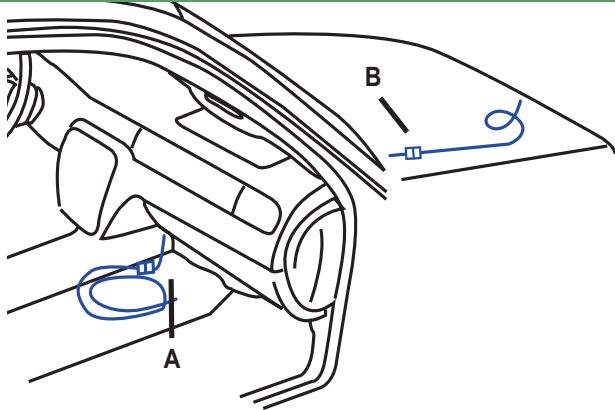
BCM will be damaged if 12V power is connected to the dark-blue/yellow wire.

(see wiring diagram section)

OPTIONAL EQUIPMENT

6J3

WIRING PROVISIONS FOR VEHICLE GRILLE LAMPS AND SPEAKER/SIREN



- A. Blunt cut ends for the customer-furnished grille lamps and customer-furnished siren/speaker
- B. Control wires from in-line connector in forward lamp harness for customer-furnished grille lamps and speaker

The SEO 6J3 wiring provision has a 5-foot (1.5 m) harness coiled underneath the instrument panel on the passenger side. The wiring circuits are routed from under the instrument panel to a 1-foot (30 cm) coil secured in the area behind the grille. There are four 16-gauge (1.0 mm²) wires for connecting to the grille lamps (GRY, TAN) and siren speaker (LT BU, LT GN)

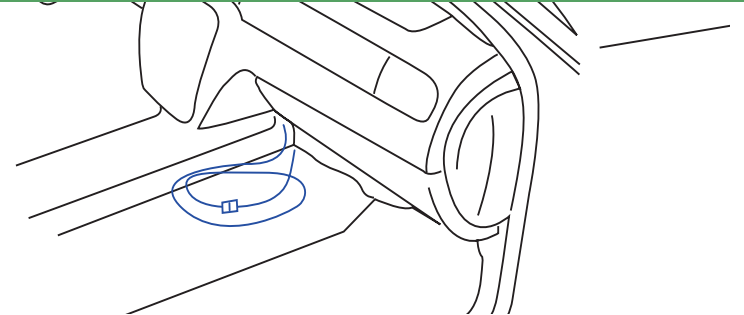
The SEO 6J3 wiring provision also includes one 18-gauge (0.8 mm²) control wire for the SEO 6J7 Exterior Lamps Emergency Flashing System.

When Option 6J7 is installed without Option 6J3, only the blunt-cut green control wire is provided under the center instrument panel for activating the Emergency Flashing System. The blunt-cut blue/green Separation-of-Function wire for customer switching to activate only rear lamps flashing is located in the upfitter branch harness exiting below the center instrument panel. For only rear lamps flashing, power to the green module activation wire must be off.

Note: See wiring diagram section

WX7

WIRING PROVISION FOR FRONT SPEAKERS

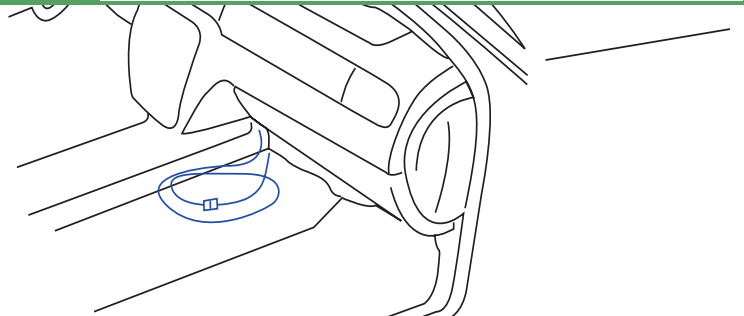


Approximately 60 inches (1.5 m) of auxiliary speaker wiring is routed from the front door and windshield pillar speakers and coiled under the instrument panel. The wiring permits connection of the front speaker pairs to customer-installed communication equipment. Vehicle radio front speaker outputs are re-routed to the rear speakers to maintain the required open door/key-in-ignition and other audible warnings.

NOTE: See wiring diagram section

6J4

WIRING PROVISION FOR HORN SIREN CIRCUIT

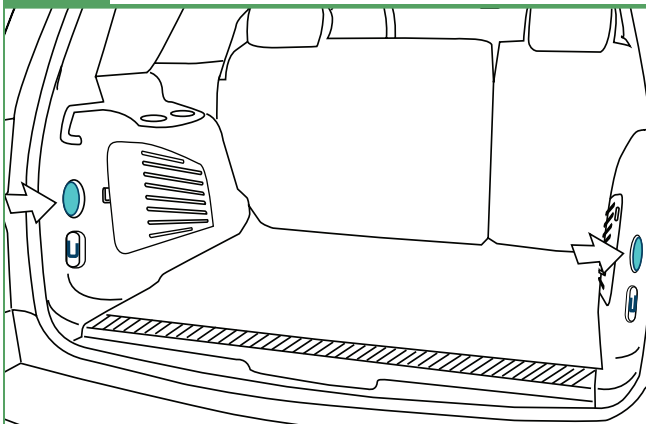


This provision permits customer connection of a switch to select either horn of siren operation when the horn pad is pressed.

A 22-gauge (0.35 mm²) wire is connected to an in-line connector in the horn circuit of the instrument panel harness under the instrument panel. The end of this harness extension is a 5-foot (1.5 m) loop of wire coiled under the center of the instrument panel. **NOTE:** See wiring diagram section

UT7

GROUND STUDS



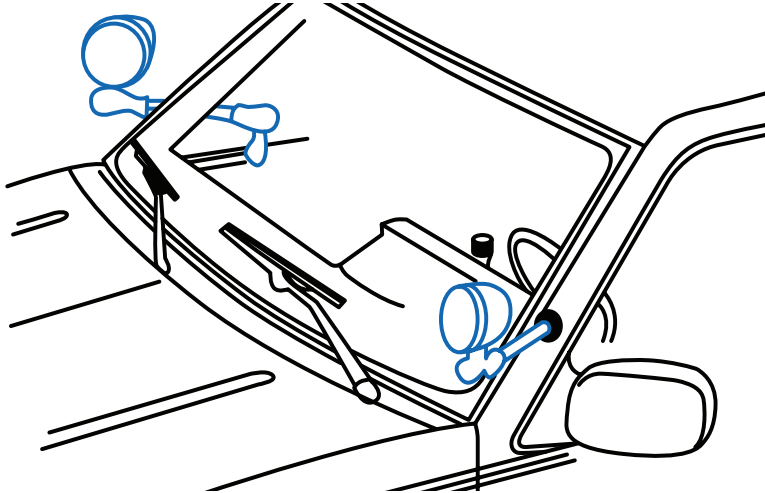
Studs are located on the left and right of the liftgate opening above the tie-down rings

OPTIONAL EQUIPMENT

7X6

SPOTLAMPS

7X7



7X6 Spotlamp left hand, pillar-mounted unity, 6-inch with replaceable H3 halogen bulb; independently fused

7X7 Spotlamps left and right hand, pillar-mounted unity, 6-inch with replaceable H3 halogen bulb; independently fused

NOTE: • Lamp bulbs are halogen 12 volt 100 watt H-3 rated at 245,000 candle power

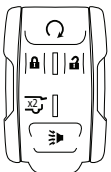
• For fuse location see *Wiring Section*

• Customer furnished spotlamp assembly must be installed to avoid interference with deploying passenger airbag

• Factory installation of spotlamps is recommended. Special tooling is used to locate and drill the spotlamp shaft hole in the windshield pillars. Field installation of spotlamps must not interfere with proper deployment of the roof rail airbag in the event of a crash.

AMF

PACKAGE OF SIX UNPROGRAMMED REMOTES



WITH REMOTE START AND REMOTE RELEASE LIFTGLASS

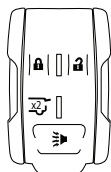
REMOTE KEYLESS ENTRY - TRANSMITTER PROGRAMMING - SEO AMF - FLEET PACKAGE OF SIX UNPROGRAMMED REMOTE UNITS

Up to eight transmitters may be programmed to the RKE on Police and Special Service Package equipped vehicles.

Do not operate or program the transmitters in the vicinity of other vehicles that are in the keyless entry program mode. This prevents the programming of the transmitters to the incorrect vehicle.

When programming SEO AMF transmitters, the original two transmitters delivered with the vehicle must also be programmed at the same time or they will not function with the vehicle.

Transmitters are not programmed. Each transmitter, including the two standard with the vehicle, must be programmed together by the customer or at a dealer at customer expense. Transmitter programming is not a warranty item. Vehicle specific, common fleet transmitter frequency is not available.



WITHOUT REMOTE START WITH REMOTE RELEASE LIFTGLASS

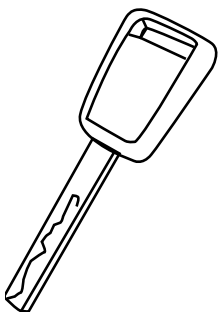
Verify that the proper transmitters are learned to the vehicle. Do not learn a transmitter with a remote start button to a vehicle that does not have remote start.

To access this DIC display, the vehicle must be in P (Park). To match an RKE transmitter to the vehicle:

1. Press the trip odometer reset stem until RELEARN REMOTE KEY displays.
2. Press and hold the trip reset stem for three seconds. The message REMOTE KEY LEARNING ACTIVE will display.
3. At the same time, press and hold the lock icon and unlock icon on the first transmitter for approximately 15 seconds. A beep will sound indicating the transmitter is matched to the vehicle.
4. Repeat Step 3 to match up to five more transmitters. A total of eight transmitters can be matched per vehicle.
5. To exit the programming mode, turn the ignition key to LOCK/OFF.

5HP

KEYS 6 ADDITIONAL



Follow these procedures to program up to eight keys to the vehicle. Keys are not programmed. Each key, including the two standard with the vehicle, must be programmed together by the customer or at a dealer at customer expense. Key programming is not a warranty item. If the maximum of 8 keys are programmed to a vehicle and 1 is lost, all remaining keys must be re-programmed with the replacement key.

To program a new key:

1. Insert the original, already programmed key in the ignition and turn the key to the ON/RUN position.
2. Turn the key to LOCK/OFF, and remove the key.
3. Insert the new key to be programmed and turn it to the ON/RUN position within five seconds.

The security light will turn off once the key has been programmed.

4. Repeat Steps 1–3 if additional keys are to be programmed.

Program a new key to the vehicle when a recognized key is not available. Canadian regulations require that Canadian owners see their dealer. If there are no currently recognized keys available, follow this procedure to program the first key. This procedure will take approximately 30 minutes to complete for the first key. The vehicle must be off and all of the keys must be with you.

1. Insert the new vehicle key into the ignition.
2. Turn to ON/RUN. The security light will come on.
3. Wait 10 minutes until the security light turns off.
4. Turn the ignition to LOCK/OFF.
5. Repeat Steps 2–4 two more times. After the third time, turn to ON/RUN; the key is learned and all previously known keys will no longer work with the vehicle.

Remaining keys can be learned by following the procedure in "Programming with a Recognized Key."

The key has a bar-coded key tag that the dealer or qualified locksmith can use to make new keys. Store this information in a safe place, not in the vehicle. See your dealer if a replacement key or additional key is needed. If it becomes difficult to turn a key, inspect the key blade for debris. Periodically clean with a brush or pick. With an active OnStar subscription, an OnStar Advisor may remotely unlock the vehicle. See OnStar.com

VEHICLE LOAD LIMITS

This information is intended for those who intend to install additional equipment on the police vehicle after it has left the factory, and for those who will be driving and loading the vehicle with passengers and/or cargo. Two labels on your vehicle show how much weight it was designed to carry, the Tire and Loading Information label and the Certification/Tire label. These labels are attached to your vehicle and give you the maximum load capacity, the Gross Vehicle Weight Rating (GVWR) and the Gross Axle Weight Rating (GAWR) for your vehicle. See "Vehicle Load Limits" in the owner manual Index for additional loading information.

The following guidelines can help you with proper loading and load distribution when installing additional equipment on the Tahoe Police Package.

WARNING

DO NOT LOAD THE VEHICLE ANY HEAVIER THAN THE GROSS VEHICLE WEIGHT RATING (GVWR), NOR EITHER THE MAXIMUM FRONT OR REAR GROSS AXLE WEIGHT RATING (GAWR). THIS CAN CAUSE SYSTEMS TO BREAK AND CHANGE THE WAY THE VEHICLE HANDLES. THIS COULD CAUSE LOSS OF CONTROL AND A CRASH. OVERLOADING CAN ALSO SHORTEN THE LIFE OF THE VEHICLE.

ADDING EQUIPMENT TO YOUR VEHICLE

Before adding accessories or equipment to your police vehicle, there are some things you need to know

- The police vehicle's maximum capacity weight (payload). The weight of your police vehicle, including a full tank of fuel but without a driver and passengers.
- The weight of items you plan on adding to your police vehicle, like roof mounted light bar(s), push bumpers, security barrier(s), rear storage organizer, highway flares, fire extinguishers, weapons, ammunition, radios, and video equipment.
- The weight and number of passengers you intend to carry in your vehicle.
- The total weight of any additional cargo you intend to carry in your vehicle.

When planning your vehicle equipment installation remember not to exceed the Gross Vehicle Weight Rating (GVWR) or the Gross Axle Weight Rating (GAWR) of the front or rear axles. To keep the available load weight less than the vehicle capacity weight, you may need to limit the number of passengers you carry in your vehicle or change your choice of additional equipment. Towing a trailer may change the vehicle payload capacity.

CENTER OF GRAVITY (CG)

A vehicle's center of gravity is an imaginary location inside the vehicle and is a balance point for the vehicle mass as it moves down the road. The police vehicle's center of gravity, before you add a load and passengers, is approximately midway between the center of the axles, up from the ground to just below the front window, and between the driver and passenger. Equipment location and weight on the vehicle's center of gravity is important to keep in mind when planning an installation. Heavy equipment should be positioned as low and as far forward in the rear load compartment as possible. Try to mount the equipment below the bottom of the side windows. Refer to the Loading Zone chart and diagram to help with your installation plan.

A procedure to make the necessary measurements and formulas to calculate the vehicle longitudinal, lateral and vertical position of the center of gravity can be found in the GM Coachbuilders Manual.

Equipment required to conduct the measurements for calculating the center of gravity are:

- Weight scales of sufficient capacity to measure the vehicle weight at each wheel.
- A post type hoist or other means to safely elevate the front of the vehicle to at least an angle of 20 degrees above horizontal.

See your GM dealer to get more information about this coachbuilder procedure.

Keeping the center of gravity midway between the axles is also important to provide proper braking performance. About half the total vehicle weight on each axle is recommended.

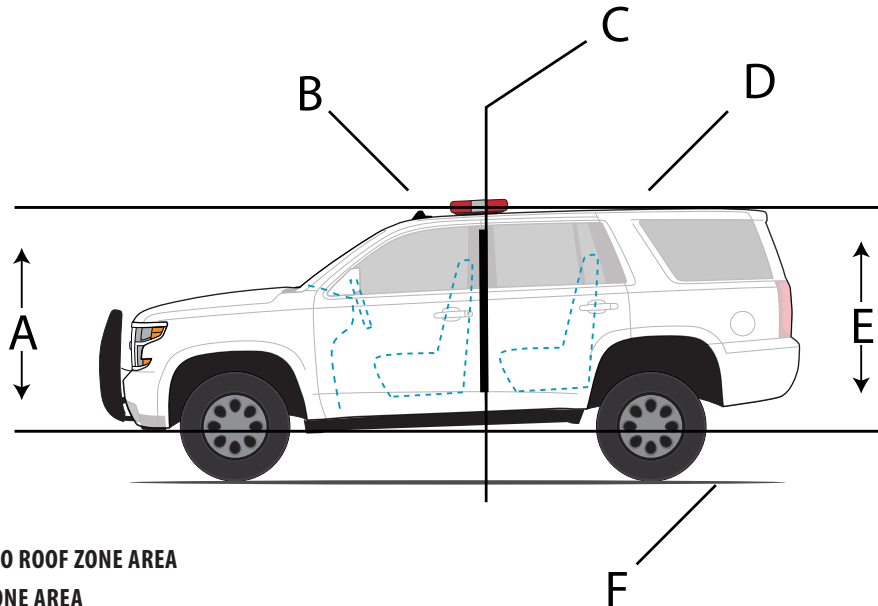
Weigh your vehicle after the additional equipment has been installed to determine the actual weight of your vehicle. Weigh the vehicle with a full tank of fuel and without passengers. You may need to put a limit on how many people or other equipment you can carry inside your vehicle after the additional equipment has been installed.

Note: See loading zone weight chart and diagram

LOADING ZONES

Loading zones for customer installed equipment and cargo with six occupants

Refer to your vehicle tire placard for Vehicle Seating Capacity and Payload Capacity (Occupants + Cargo) Weight



- A. FRONT FLOOR TO ROOF ZONE AREA
- B. FRONT ROOF ZONE AREA
- C. BACK OF FRONT DOOR
- D. REAR ROOF ZONE AREA
- E. REAR FLOOR TO ROOF ZONE AREA
- F. GROUND

LOADING ZONE WEIGHT CHART FOR SPECIAL SERVICE 5W4 TAHOE 4X4

LOADING ZONES	FRONT AXLE WEIGHT	REAR AXLE WEIGHT	TOTAL
ROOF	30 LBS (14 KG)	42 LBS (19 KG)	72 LBS (33 KG)
FLOOR TO ROOF	109 LBS (50 KG)	433 LBS (196 KG)	542 LBS (246 KG)
TOTAL	139 LBS (64 KG)	475 LBS (215 KG)	614 LBS (279 KG)

NOTE:

CARGO WEIGHT CAN BE GREATER WITH FEWER OCCUPANTS. TOWING A TRAILER MAY CHANGE VEHICLE PAYLOAD

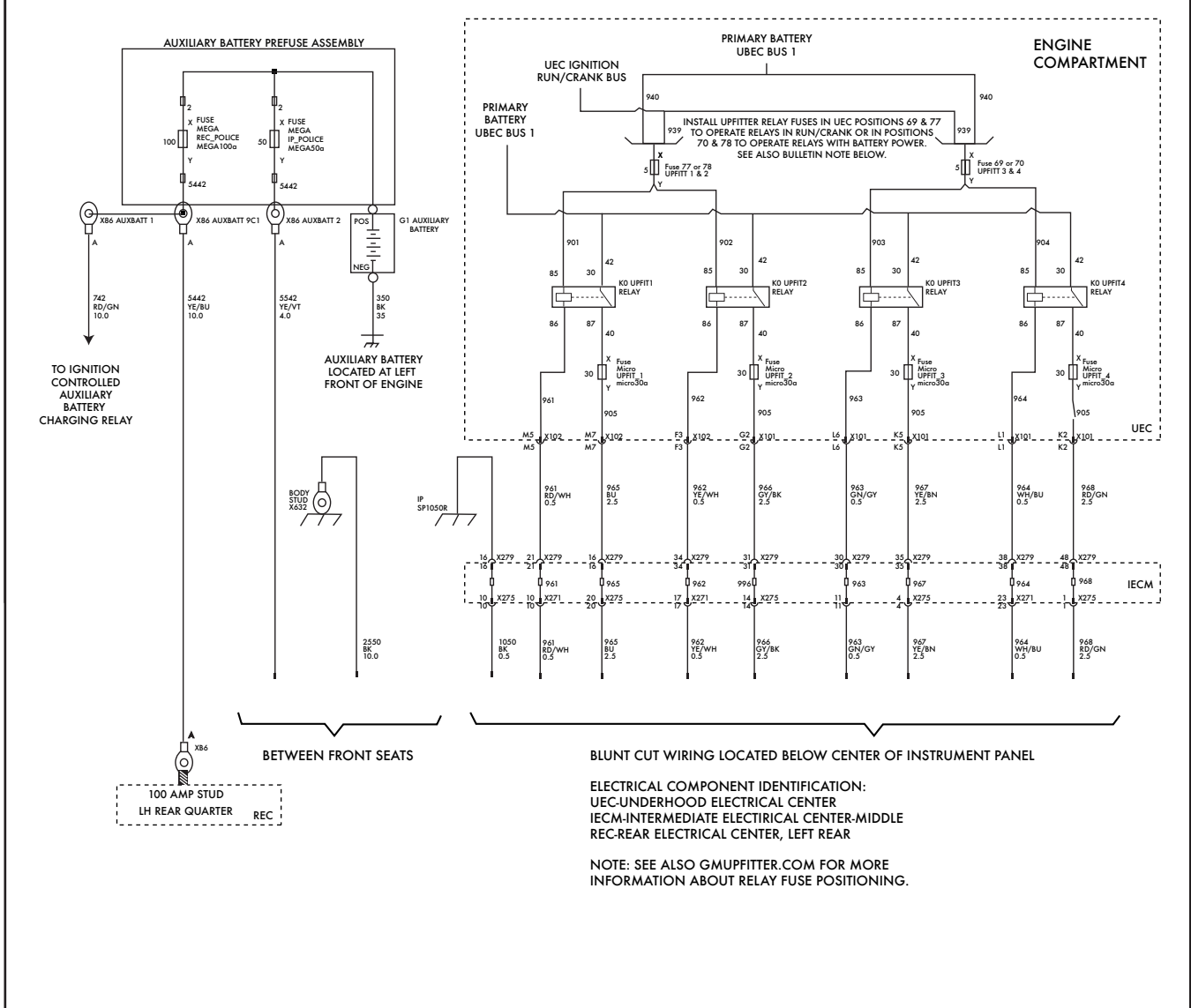
REFER TO YOUR OWNER'S MANUAL SUPPLEMENT FOR DETERMINING MAXIMUM CARGO LOADING AND POSITIONING.

USING HEAVIER SUSPENSION COMPONENTS TO GET ADDED DURABILITY MIGHT NOT CHANGE YOUR WEIGHT RATINGS AND MAY AFFECT THE VEHICLE PERFORMANCE AND HANDLING CHARACTERISTICS.

YOUR GM DEALER CAN PROVIDE HELP WITH PROPERLY LOADING YOUR VEHICLE.

WIRING

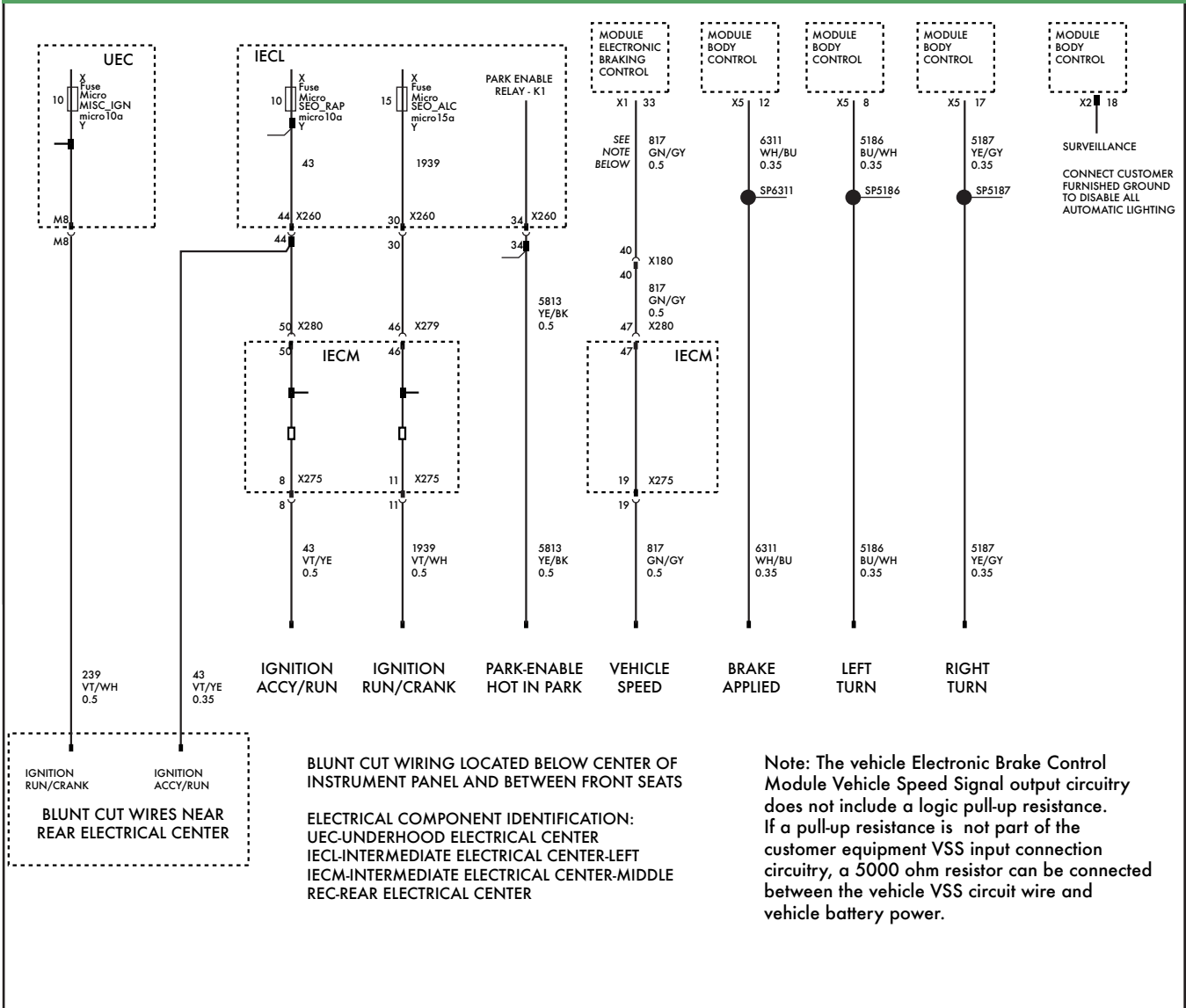
WIRING DIAGRAM FOR 12-VOLT BATTERY POWER SUPPLY



NOTE: Wiring diagrams for these options are shown in the Police Package owner's manual supplement (shipped in glove box).

WIRING

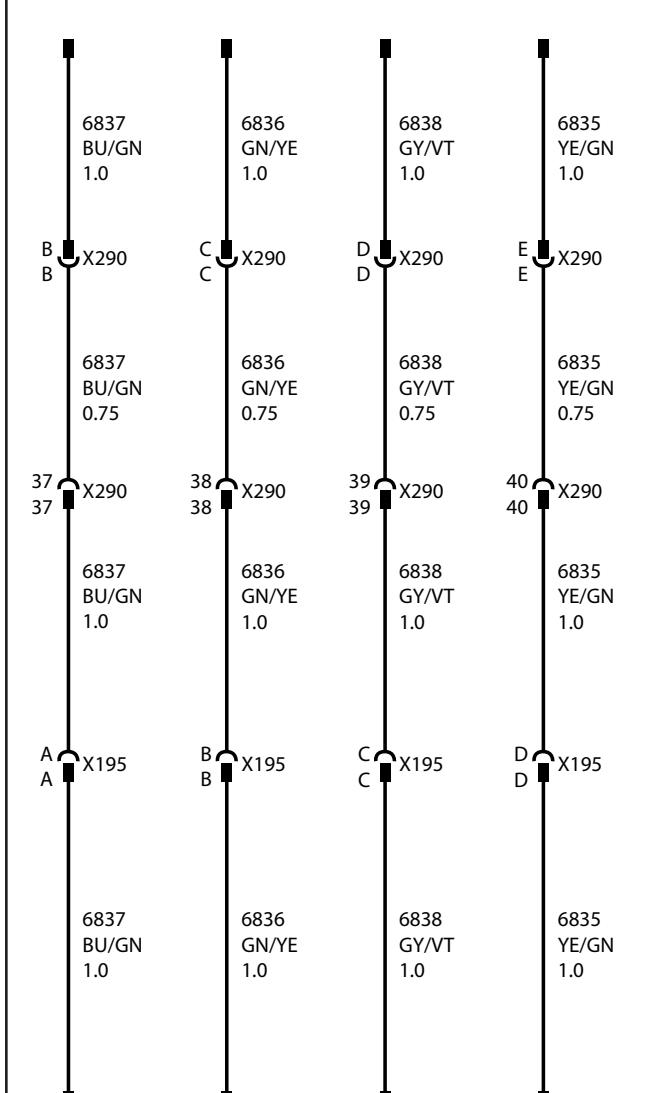
WIRING PROVISIONS IGNITION POWER AND SIGNAL CIRCUITS



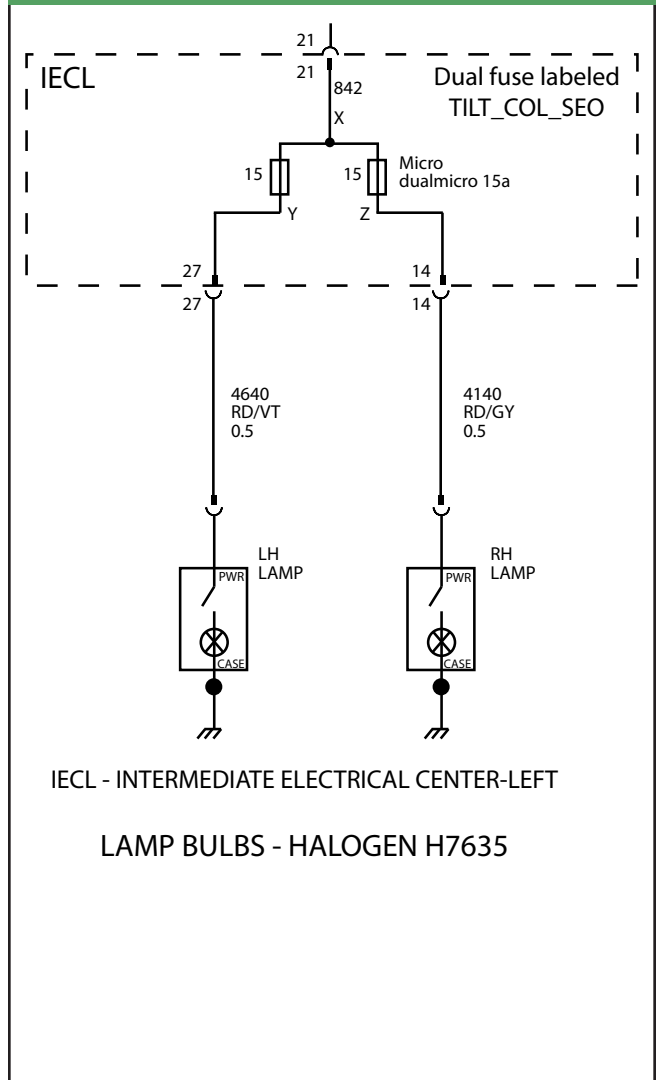
NOTE: Wiring diagrams for these options are shown in the Police Package owner's manual supplement (shipped in glove box).

WIRING

WIRING PROVISION FOR OPTION 6J3 VEHICLE GRILLE LAMPS AND SPEAKER/SIREN



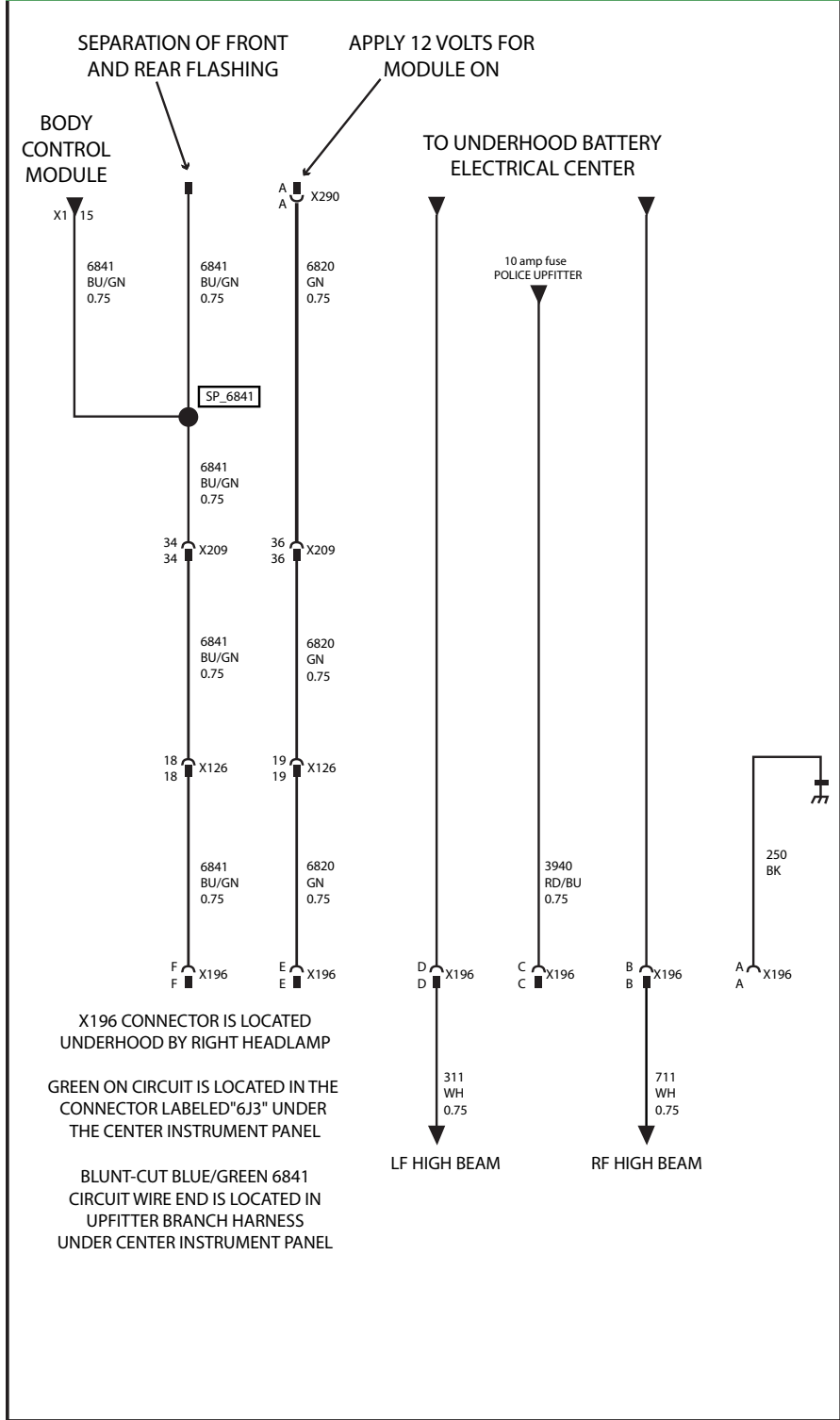
WINDSHIELD PILLAR-MOUNTED SPOTLAMPS OPTION 7X6 LH ONLY / OPTION 7X7 LH AND RH



NOTE: Wiring diagrams for these options are shown in the Police Package owner's manual supplement (shipped in glove box).

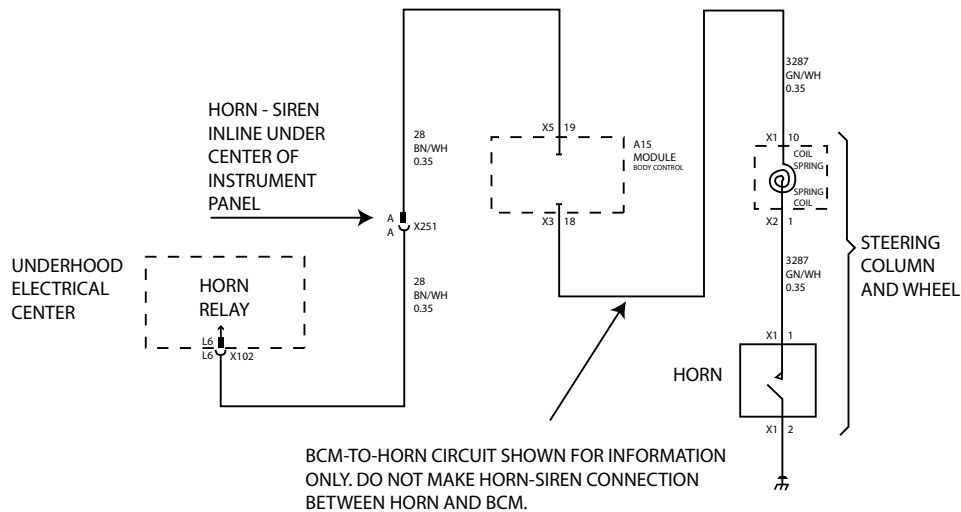
WIRING

WIRING PROVISION FOR OPTION 6J7 EXTERIOR LAMPS EMERGENCY FLASHING SYSTEM

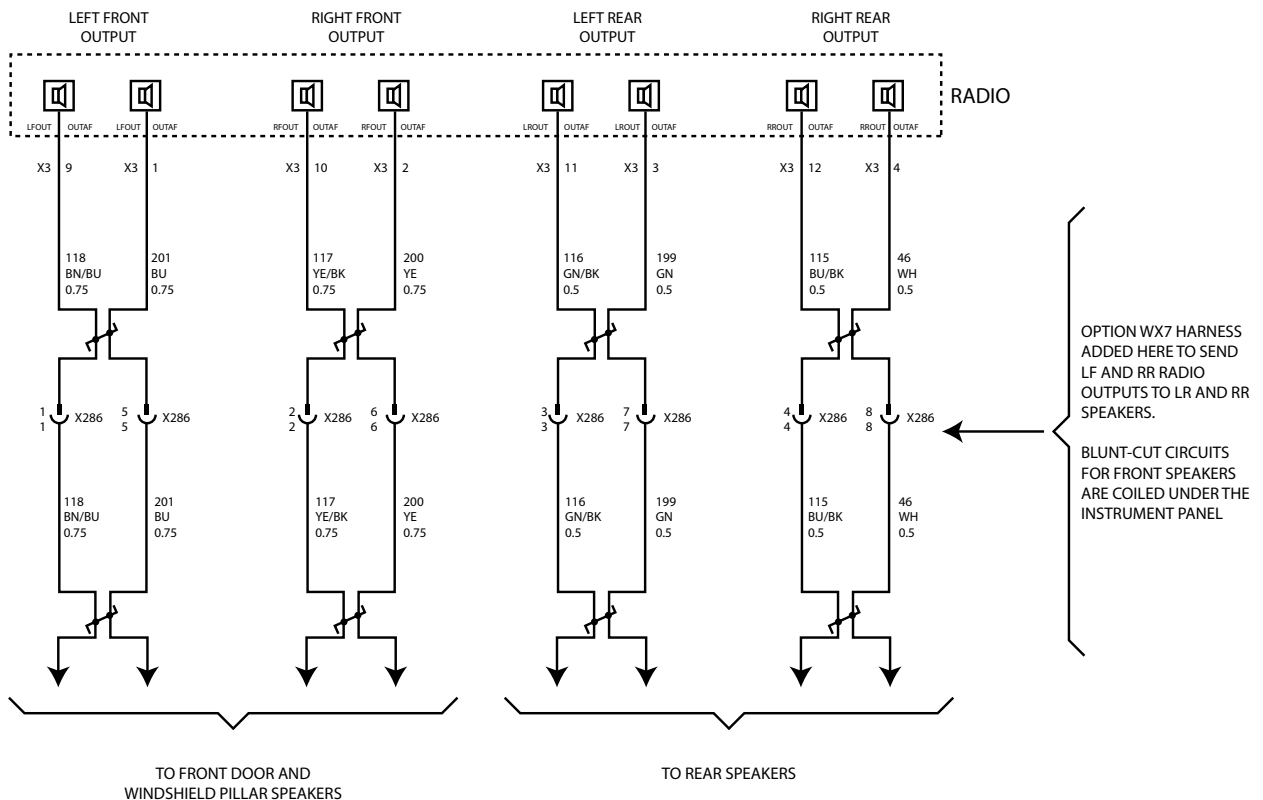


WIRING

WIRING PROVISION FOR OPTION 6J4, HORN - SIREN CIRCUIT

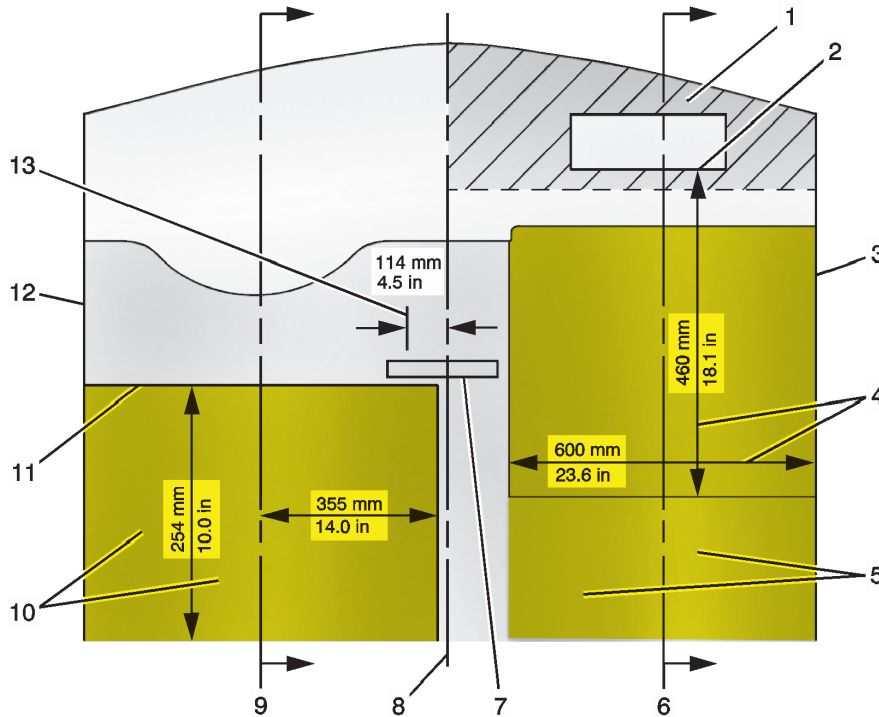


WIRING DIAGRAM FOR OPTION WX7 IN-LINE CONNECTOR



NOTE: Wiring diagrams for these options are shown in the Police Package owner's manual supplement (shipped in glove box).

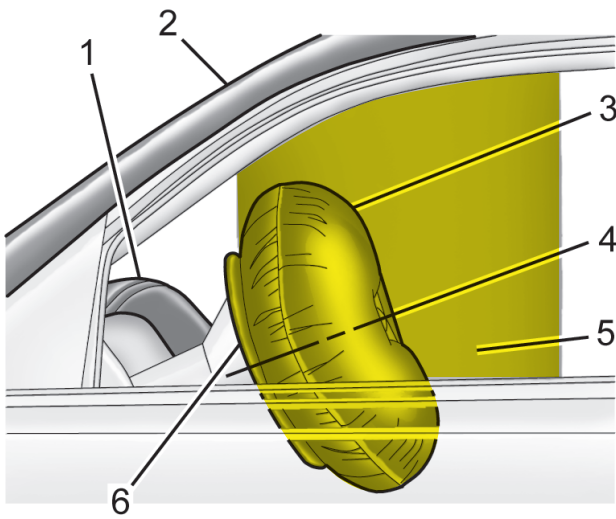
TOP VIEW OF INSTRUMENT PANEL AND APPROXIMATE DEPLOYMENT AREA OF THE AIRBAG ZONE



1. Passenger Side Instrument Panel Top Surface Zone
2. Passenger Frontal Airbag Module Trim Panel – Rear Edge
3. Passenger Side Door
4. Approximate Dimensions of Inflated Airbag
5. Passenger Frontal Airbag Deployment Zone
6. Passenger Centerline
7. Inside Rearview Mirror
8. Vehicle Centerline
9. Driver Centerline
10. Driver Frontal Airbag Deployment Zone
11. Front of Steering Wheel
12. Driver Side Door
13. Shift Selector Arc

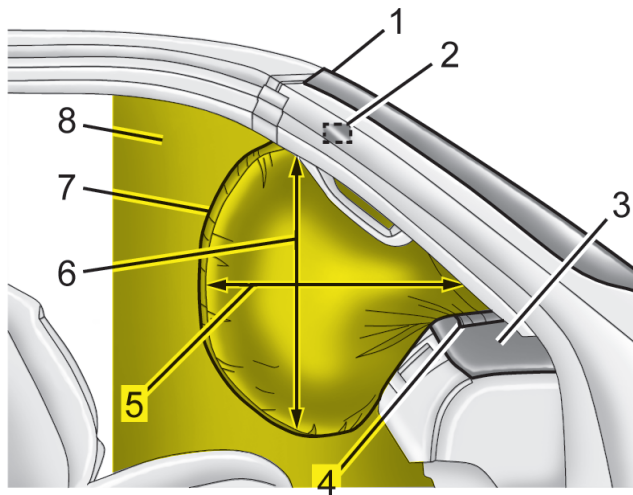
Lower instrument panel knee bolsters are provided to absorb energy during frontal collisions and are designed to limit leg movement to decrease the chance of injury to the driver and front passenger.

SIDE VIEW OF DRIVER FRONTAL AIRBAG DEPLOYMENT ZONE



1. Top of Instrument Panel
2. Top Edge of Windshield
3. Inflated Airbag – Steering Wheel
4. Centerline of Steering Column at Mid-Tilt
5. Driver Frontal Airbag Deployment Zone
6. Front of Steering Wheel

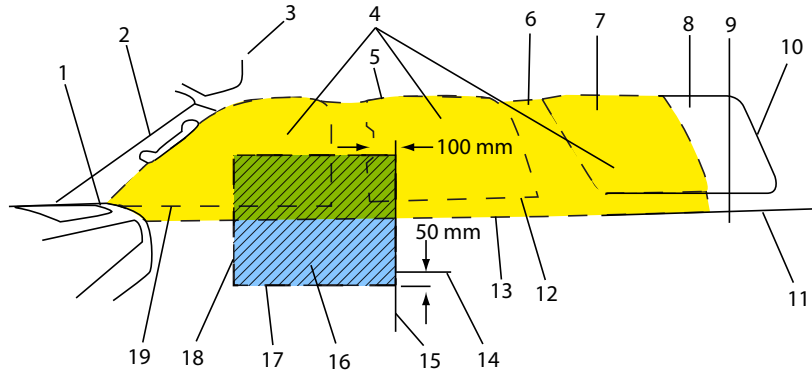
SIDE VIEW OF PASSENGER FRONTAL AIRBAG DEPLOYMENT ZONE



1. Top Edge of Windshield
2. Inside Rearview Mirror
3. Instrument Panel Top Surface Zone
4. Passenger Frontal Airbag Module Trim Panel – Rear Edge
5. Inflated Airbag – Horizontal Dimension, approximately 18.1 in (460 mm)
6. Inflated Airbag – Vertical Dimension (from Top of Occupant's Lap to Headliner)
7. Inflated Airbag – Instrument Panel
8. Passenger Frontal Airbag Deployment Zone

Airbag inflation can cause severe injury or death to anyone too close to the bag when it deploys. Be sure every occupant is properly restrained.

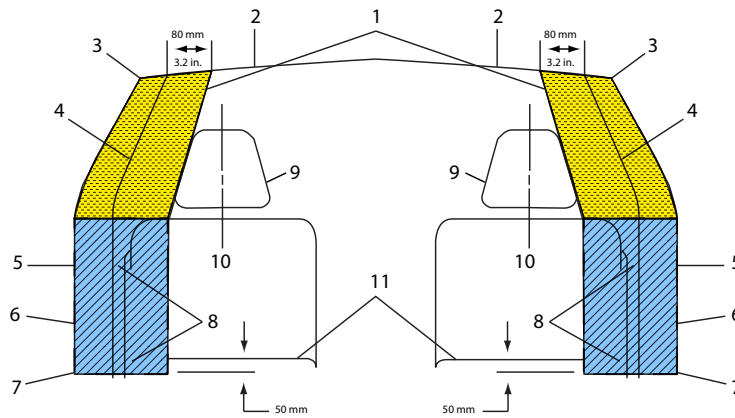
ROOF-RAIL AND SEAT-MOUNTED SIDE IMPACT AIRBAG DEPLOYMENT ZONES - PASSENGER SIDE SHOWN, DRIVER SIDE SIMILAR



- 1. Front of Deployment Zone at Bottom of Windshield Pillar Trim
- 2. A-Pillar Trim with Grab Handle (Passenger Side)
- 3. Sun Visor
- 4. Deployment Zone - Seat Rows 1 and 2 and Cargo Area
- 5. Top of Deployment Zone - Along Roof-rail at Edge of Headliner
- 6. C-Pillar Upper Trim
- 7. Rear Quarter Window
- 8. D-Pillar Upper Trim
- 9. Rear of Cargo Area Zone at Back Corner of Headliner
- 10. Rear of Vehicle at liftgate Opening
- 11. Bottom of Cargo Area Zone at Rear Side Trim Cupholders
- 12. Top Edge of Rear Door Trim

- 13. Bottom of Deployment Zone at Top of Side Door Armrests
 - 14. Top Surface of Front Seat Cushion (with Seal Fully lowered)
 - 15. Seat-Mounted Side Impact Airbag Deployment Zone 3.9 in (100 mm) to Rearward of Back Edge of B-Pillar Trim Grab Handle)
 - 16. Front Seat Deployment Zone (With Seat Fully Lowered)
 - 17. Bottom of Seat-Mounted Side Impact Airbag Zone 2.0 in (50 mm) Below Top of Seat Cushion with Seat Fully lowered)
 - 18. Rear of Front Door Trim Armrest Handle
 - 19. Top Edge of Front Door Trim
- The roof-rail airbag deploys in the cargo area. Third-row seating is not available on the police package (RPO 9C1) or the special service package (RPO 5W4).

ROOF-RAIL AND SEAT-MOUNTED SIDE IMPACT AIRBAG DRIVER AND PASSENGER DEPLOYMENT ZONES - VIEW FROM REAR CARGO AREA

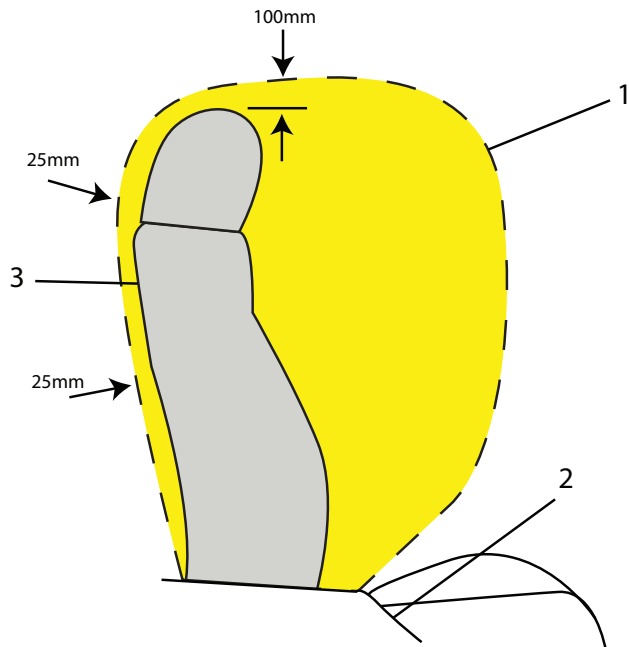


- 1. Roof-rail Airbag Deployment Zone
- 2, Underside of Headliner
- 3. Edge of Headliner
- 4. Inner Center and Rear Pillar Trim
- 5. Inner Front and Rear Door
- 6. Side Door Upper Armrests and Rear Quarter Trim Armrests
- 7. Seat-Mounted Side Impact Airbag Deployment Zone 2.0 in (50 mm) Below Top Surface of Outboard Front Seat Cushion with Seat Fully Lowered.

- 8. Front Seatback Side Deployment Zone
 - 9. Front Seat Head Restraint
 - 10. Seat Centerline
 - 11. Top of Seat Cushion
- The driver and passenger seat-mounted side impact airbag deployment zones move up, down, fore, aft, as the seat is adjusted by the occupant. The deployment zones also move as the seatback is reclined and raised.

Airbag inflation can cause severe injury or death to anyone too close to the bag when it deploys. Be sure every occupant is properly restrained.

OPTIONAL DRIVER SEATBACK FRONT CENTER AIRBAG (RPO AYQ AND D07) INCLUDED WITH A95 BUCKET SEATS - VIEW FROM PASSENGER SIDE

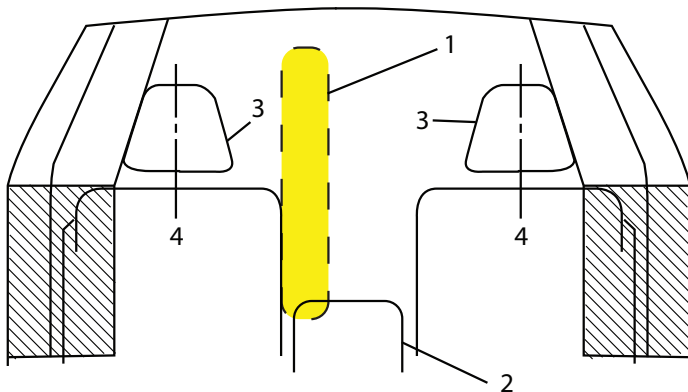


1. Driver Seatback Front Center Airbag
2. Front Center Console
3. Driver Seat and Head Restraint

The deployment zones for the driver seatback front center airbag and the driver and passenger seat-mounted side impact airbags move up, down, fore, and aft as the seat is adjusted by the occupant.

The driver seatback front center airbag (RPO AYQ) requires front bucket seats (RPO A95) and the front center console (RPO D07). Do not remove the front center console to install customer equipment or install customer equipment between the front bucket seats. The equipment may interfere with the deployment of the driver seatback front center airbag.

OPTIONAL DRIVER SEATBACK FRONT CENTER AIRBAG DEPLOYMENT ZONE (RPO AYQ AND D07) - VIEW FROM REAR CARGO AREA



1. Driver Seatback Front Center Airbag (RPO AYQ)
2. Front Center Console (RPO D07)
3. Front Seat Head Restraint
4. Seat Centerline

Airbag inflation can cause severe injury or death to anyone too close to the bag when it deploys. Be sure every occupant is properly restrained.

AIRBAGS & STABILITRAK

AIRBAG FAQ

Can specialty vehicle equipment (e.g. radar devices, video cameras, computers, meters, radio trees, shotguns, etc.) still be mounted in cars with passenger side airbags?

Yes, but care must be taken to mount the equipment outside of the deployment zone. Airbags inflate with great force and will interact with any object in the deployment zone. Therefore, to reduce the risk of injury to vehicle occupants, GM recommends that the air deployment zone be kept free of any equipment. If a piece of equipment were to become dislodged it could strike an occupant in the vehicle and result in injury. The likelihood of an object becoming dislodged is influenced by many factors, including the proximity of the object to the inflatable restraint, the size and shape of the object, and the means by which the object is secured to the vehicle. In addition to these factors, the trajectory and velocity of a dislodged object can be influenced by the type and severity of vehicle crash.

Objects that are in the deployment zone, but do not become dislodged by an inflating airbag can still affect the performance of the airbag. For example, such objects could tear the fabric or affect the shape of the airbag, thus reducing the ability of the bag to provide restraint.

Is it possible to shield equipment that is installed in the passenger side frontal airbag deployment zone in a manner that will allow full and safe airbag deployment?

Due to the complexity of influencing variables, GM is unable to evaluate the potential for shielding expected equipment configurations in all accident scenarios in order to assure that the airbag performance would be unaffected. While shielding may protect certain equipment from being damaged or dislodged, it may also negatively affect the inflation characteristics of the airbag. The airbag's shape, inflation angle, fold pattern, and inflation rate and pressure are developed to maximize the protection capability of the inflatable restraint system. Therefore, GM cannot recommend the placement of any equipment in the deployment zone, even if it is shielded to protect it from damage.

Front airbag systems and instrument panel mounted equipment.

Passenger airbags in GM vehicles deploy in different ways depending upon the type of vehicle and the particular instrument panel design.

In some vehicles, the passenger airbag deploys through a discrete door located on the top surface of the instrument panel (top-mount airbag systems). In other vehicles, the passenger airbag deploys through a discrete door mounted on the vertical rearward surface of the instrument panel, above the glove box door (mid-mount airbag system). With these types of top mount and mid-mount passenger airbag systems, the top pad of the instrument panel remains in place during deployment.

Some GM passenger airbag systems deploy from beneath the instrument panel top pad. These are considered 3/4-mount airbag systems with a "deployable top pad." The entire instrument panel top pad is the "deployment door" from under which the inflating airbag emerges. When an airbag deployment is commanded, the forces from the inflating passenger airbag push up on the instrument panel top pad, releasing special fasteners across the rearward edge of the top pad. This allows the top pad to rotate upward so that the passenger airbag may emerge. The top pad rotates upward to open widest at the right hand side, and is usually forced upward into contact with the windshield on the right hand side of the vehicle during a deployment.

Instrument panel top mounted special equipment, such as a radar antenna and control unit or video camera must be positioned to the left of the vehicle center line. This equipment must be mounted as low as possible and securely fastened to the top pad to avoid being dislodged in the event of a crash and possible

airbag deployment. In the process of securely fastening special equipment to the top, DO NOT fasten down the top pad itself to any other vehicle component such as the cluster trim plate. As described above, the top pad rotates upward during a deployment. In order to enable the proper deployment of the passenger airbag, specialty equipment installation MUST NOT PREVENT the top pad from rotating upward during deployment. Location and attachment of special equipment should minimize added resistance or interference to upward rotation of the top pad during deployment.

On the right half of the top pad closest to the passenger airbag module, GM recommends that no equipment be mounted. When mounting equipment on the driver side of the top pad, GM recommends that the total mass of the top pad mounted special equipment not exceed 8 pounds (3.6 kilograms), since some top pads tend to rotate about the left end.

Fasteners used to secure special equipment to the instrument panel top pad, the windshield glass, or to the windshield upper frame (header), should be selected to ensure that these devices will remain attached during a vehicle crash and possible airbag deployment.

Side-Impact Airbags for crashes to the vehicle sides.

The airbag system in your police vehicle includes roof rail mounted Head Curtain side airbags. The vehicle is also equipped with seat back mounted upper body airbags located on the outboard side of the driver and front passenger seat backs. Together the Head Curtain and seat-mounted side airbags are intended to protect the head and upper body in the event of a side crash. The Head Curtain and seat-mounted side airbags also may be commanded to deploy in the event that the vehicle sensing system detects an impending or underway rollover of the vehicle. Some vehicles may also be equipped with an optional airbag, mounted on the inboard side of the driver seat back.

Can Specialty Vehicle Security Barriers be mounted within the side airbag deployment zones?

No. The side airbags inflate extremely fast because of the nature of side crashes to the vehicle. Mounting a security barrier behind the front seats with the ends placed within the side airbag deployment zones will result in unintended interaction between the barrier and the inflating side airbags. To reduce the risk of injury to the vehicle occupants, GM recommends that the side airbag zones be kept free of any customer installed equipment.

Customer furnished equipment installed to the vehicle roof.

The roof system may also include side airbag head curtain components. Inflation devices and cushion components may be mounted on the vehicle roof side from the base of the windshield along the roof rail above the door openings to the base of the rear window pillar. Care must be taken to avoid damage to these components or interference with their operation when installing roof mounted equipment such as emergency lamps and communication antennas.

AIRBAG FAQ

Can the installation of push bumpers on the front end of the vehicle affect the deployment of the airbag?

General Motors is not aware of adverse effects during crash events from the many push bumpers that have been installed on GM police vehicles. Because there are many styles of push bumpers available with varying crash characteristics, installation of push bumpers may or may not affect deployment timing of the airbags. Push bumpers should be mounted to avoid modifying the vehicle structure and interfering with the front airbag sensors mounted on the upper radiator support cross member.

Two front impact sensors are installed in General Motors vehicles. Do not relocate or disconnect the front sensors. The location and orientation of the front sensors are critical for correct operation of the airbag system. Avoid mounting components on or near the sensors. Push bumper styles with vertical pushing members that are in foreaft alignment with the front airbag sensors are not recommended.

When should an airbag inflate?

The driver's and right-front passenger's frontal airbags are designed to inflate in moderate to severe frontal or near-frontal crashes. But they are designed to inflate only if the impact speed is above the system's designed "threshold level."

In addition, your vehicle has "dual stage" frontal airbags which tailor the amount of restraint according to crash severity. For moderate frontal impacts, the airbags inflate at a level less than full deployment. For more severe frontal impacts, "dual stage" frontal airbags deploy at full levels.

If the front of your vehicle goes straight into a wall that doesn't move or deform, the threshold level of the reduced deployment is about 12 to 16mph (19 to 15 km/h), and the threshold level for a full deployment is about 18 to 24 mph (29 to 28.5 km/h). The threshold level can vary, however, with specific vehicle design, so that it can be somewhat above or below this range.

If your vehicle strikes something that will move or deform such as a parked car, the threshold level will be higher. The driver's and right-front passenger's frontal airbags are not designed to inflate in rollover, side impacts, or rear impacts, because inflation would not help the occupant.

Seat mounted side impact airbags are designed to inflate in moderate to severe side crashes. The side impact airbags will inflate if the crash severity is above the designed "threshold level." The threshold level can vary with specific vehicles design. The side impact airbags are not designed to inflate on frontal or near-frontal impacts or rear impacts, because inflation would not help the occupant.

Roof rail mounted head-curtain airbags are designed to inflate in moderate to severe side crashes. In addition, certain vehicles have head-curtain airbags which are also designed to inflate in situations where an impending rollover condition is identified by the vehicle's rollover sensing system and/or frontal or near-frontal impacts if the crash severity is above the designed "threshold level."

Safety belt pretensioners at the driver and front passenger seat positions are designed to deploy in frontal, near-frontal, side, and rear crashes that exceed the "threshold level" of crash severity to help reduce slack in the safety belt. Safety belt pretensioners will also deploy in impending rollover situations.

How long will the airbag remain inflated?

It takes approximately 1/20th of a second to fully inflate the frontal airbags. This is faster than the blink of an eye. The airbags begin to deflate immediately, helping to stop the occupants more gradually. Unlike frontal airbags, head curtain side airbags can remain inflated for more than 5 seconds before they start to deflate.

I've heard that a deployed airbag produces what appears to be smoke, is the airbag hot?

After the bag has deployed in a crash, the airbag itself will not be hot to touch. Some components within the airbag module will be hot for a short time. A small amount of smoke coming from a deployed airbag module is normal and should not be cause for concern.

Also, when the nitrogen gas is vented out of the airbag, small particles from inside the bag are also vented into passenger compartment. These airborne particles look like smoke and some particles are deposited as residue on and around the airbag.

I've heard that the dusts that are released into the passenger compartment from the airbag are harmful, is this true?

For most people, the only effect the dusts will produce is some irritation of the throat and eyes, and that is only if the occupant remains in the vehicle for many minutes after the airbag deployment with no ventilation and windows closed. However, some people with asthma may develop an asthmatic attack from inhaling the dusts. If this happens, they should first treat themselves the same way their doctor has advised them to treat any other asthma attack, and then immediately seek medical treatment.

Can the airbag system be re-used?

No. The airbags are designed to inflate only once. After inflation, some new parts will be required. These will include the airbag module and possibly other parts. (A competent service technician with access to the vehicle's service manual and the required tools should replace the required components after a deployment crash.)

If my vehicle has airbags, why should I have to wear my safety belt?

Yes, safety belts are the primary safety restraint in the vehicle. Airbags are in many vehicles today and will be in most of them in the future. But they are supplemental systems only; so they work with safety belts, not instead of them. Every airbag system ever offered for sale has required the use of safety belts. Even if you're in a vehicle that has airbags, you still have to buckle up to get the most protection. That's true not only in frontal collisions but especially in side and other collisions.

ELECTRONIC STABILITY CONTROL SYSTEMS (STABILITRAK)

StabiliTrak systems help drivers maintain control of their vehicles, especially during emergency lane changes or avoidance maneuvers. StabiliTrak uses various sensors, such as steering wheel angle, wheel speed, yaw velocity, etc., to detect any difference between the path requested by the steering wheel position and vehicle's actual path. When appropriate, the system selectively controls brakes, engine power, and even suspension settings to enhance control of the vehicle's direction and help keep it on course.

Independent studies conducted by the National Highway Traffic Safety Administration, the Insurance Institute for Highway Safety, and others have found StabiliTrak to be highly effective in reducing vehicle crashes. General Motors offers StabiliTrak systems on many of its passenger car and light truck models.

See your owner's manual for additional information about the operation of StabiliTrak.

Q. How do I use StabiliTrak?

A. StabiliTrak operates independently of the driver. You should continue to drive your StabiliTrak equipped vehicle with caution and care. GM's StabiliTrak system, StabiliTrak is designed to be as seamless as possible in operation, and part of the overall vehicle response to make a good vehicle better

Q. How does StabiliTrak work?

A. StabiliTrak has the ability to apply control forces to the vehicle independent of the driver. StabiliTrak uses sensors to continuously compare the path indicated by the steering wheel position to the vehicle's actual path. If a discrepancy is detected, StabiliTrak selectively controls vehicle brakes and engine torque to create a yaw moment that helps restore the vehicle's actual path to the path indicated by the steering wheel position. StabiliTrak has the ability to help correct both understeer (where the vehicle is not turning as much as the steering wheel position indicates) and oversteer (where the vehicle is turning more than the steering wheel position indicates).

Q. Will a tire change affect StabiliTrak?

A. Use of tires other than original equipment may affect StabiliTrak performance. StabiliTrak is designed to make the best use of available traction. The performance characteristics of the original equipment tires are part of the overall system effectiveness. When you replace tires check the recommendations in your owner's manual. On GM vehicles, the original equipment tires have a "TPC" (Tire Performance Criteria) code on the sidewall. Replacing the tires with the same "TPC" code will help assure proper StabiliTrak performance.

DRIVER OPERATED STABILITRAK BUTTON

An advanced computer controlled stability enhancement system assists the driver with directional control of the vehicle in difficult driving conditions. Each time the vehicle is started, the StabiliTrak system is fully on. StabiliTrak can be controlled by a button located on the left side of instrument panel. The condition system is displayed by a StabiliTrak indicator light and Driver Information Center (DIC) Message. Push once to disable Traction Control. Push and hold to disable both Traction Control and StabiliTrak. In this condition, StabiliTrak will automatically turn ON when the vehicle speed exceeds 35 mph (56km/hr) while the Traction Control remains OFF. Push again to enable Traction Control and StabiliTrak.

MAINTENANCE / WARRANTY

MAINTENANCE	<p>2-Year Scheduled Maintenance includes only the following: 2-year/24,000-mile Scheduled Maintenance (whichever comes first; up to a total of two service events): ACDelco dexos1®Oil and ACDelco Oil Filter Change (excludes Spark EV) 4-wheel Tire Rotation (excludes dual rear wheel vehicles, all Corvette models and select Camaro models - ZL1 model and 1LE package cars – due to their unidirectional tires; see Owner’s Manual for details) 27-Point Vehicle Inspection (MPVI)</p>
WARRANTY	<p>BUMPER-TO-BUMPER (INCLUDING TIRES) Coverage is for the first 3 years or 36,000 miles, whichever comes first.</p>
POWERTRAIN	<p>In addition to the 3-year/36,000 mile protection, many of your powertrain components are protected even further with coverage extending to 5 years or 60,000 miles, whichever comes first. Coverage for 2500 and 3500 Series Heavy Duty (HD) Pickups equipped with a 6.6L Duramax, and qualifying fleet vehicles is for 5 years or 100,000 miles, whichever comes first.details.</p>
ENGINE	<p>Engine coverage includes all internally lubricated parts, engine oil cooling hoses, and lines. Also included are all actuators and electrical components internal to the engine (e.g., Active Fuel Management valve, lifter and oil manifold) cylinder head, block, timing gears, timing chain, timing cover, oil pump/oil pump housing, OHC carriers, valve covers, oil pan, seals, gaskets, manifolds, flywheel, water pump, harmonic balancer, engine mount, turbocharger, and supercharger. Timing belts are covered until the first scheduled maintenance interval. Exclusions: Excluded from the powertrain coverage are sensors, wiring, connectors, engine radiator, coolant hoses, coolant, and heater core. Coverage on the engine cooling system begins at the inlet to the water pump and ends with the thermostat housing and/or outlet that attaches to the return hose. Also excluded is the starter motor, entire pressurized fuel system (in-tank fuel pump, pressure lines, fuel rail(s), regulator, injectors, and return line), as well as the Engine/ Powertrain Control Module and/or module programming.</p>
DIESEL ENGINE/ COMPONENTS	<p>Cylinder block and heads and all internal parts, intake and exhaust manifolds, timing gears, timing gear chain or belt and cover, flywheel, harmonic balancer, valve covers, oil pan, oil pump, water pump, fuel pump, engine mounts, seals, and gaskets. Parts of the Emissions Reduction System such as the emissions reduction fluid tank, injectors, sensors including NOx and exhaust, and the Exhaust Particulate Filter. Glow Plug Control System: Control/glow plug assembly, glow plugs, cold advance relay, and engine control module The fuel injection control module, integral oil cooler, transmission adapter plate, common fuel rails, fuel filter assembly, fuel temperature sensor, and function block.</p>
TRANSMISSION/ TRANSAXLE	<p>Transmission and transaxle coverage includes all internally lubricated parts, case, torque converter, mounts, seals and gaskets, as well as any electrical components internal to the transmission/transaxle. Also covered are any actuators directly connected to the transmission (slave cylinder, etc.). Exclusions: Exclusions from the powertrain coverage include cooling lines, hoses, radiator, sensors, wiring, and electrical connectors. Also excluded are the clutch and pressure plate, as well as any Transmission Control Module and/or module programming.</p>
TRANSFER CASE	<p>Transfer case coverage includes all internally lubricated parts, case, mounts, seals and gaskets, as well as any electrical components internal to the transfer case. Also covered are any actuators directly connected to the transfer case, as well as the encoder motor. Exclusions: Excluded from the powertrain coverage are transfer case cooling lines, hoses, radiator, sensors, wiring, and electrical connectors, as well as the transfer case control module and/or module programming.</p>
DRIVE SYSTEMS	<p>Drive system coverage includes all internally lubricated parts, final drive housings, axle shafts and bearings, constant velocity joints, propeller shafts and universal joints. All mounts, supports, seals, and gaskets, as well as any electrical components internal to the drive axle. Also covered are any actuators directly connected to the drive axle (e.g., front differential actuator). Exclusions: Excluded from the powertrain coverage are all wheel bearings, drive wheel front and rear hub bearings, locking hubs, drive system cooling, lines, hoses, radiator, sensors, wiring, and electrical connectors related to drive systems, as well as any drive system control module and or module programming.</p>
SHEET METAL	<p>GM vehicles are designed and built to resist corrosion. All body and sheet metal components are warranted against corrosion for 3 years or 36,000 miles, whichever comes first. Plus you’re protected even further from rust-through corrosion for a minimum of 6 years/100,000 miles (whichever comes first). Application of additional rust-inhibiting materials is not required under the corrosion coverage and none is recommended. See your GM dealer for terms of this limited warranty.</p>

MAINTENANCE / WARRANTY

<p>EMISSION CONTROL SYSTEMS</p>	<p>Defects and performance for car and light-duty truck emission control systems are covered for the first 2 years or 24,000 miles, whichever comes first. From the first 2 years or 24,000 miles to 3 years or 36,000 miles defects in material or workmanship continue to be covered under the New Vehicle Limited Bumper-to-Bumper Warranty coverage. Specified major components are covered for the first 8 years or 80,000 miles, whichever comes first. Defects and performance for heavy duty truck emission control systems including those found in 6.6L Duramax® Diesel Engines are covered for the first 5 years or 50,000 miles, whichever comes first.</p> <p>- Refer to your Warranty and Owner Assistance Information booklet for California emission control system warranty details.</p>
<p>TIRES</p>	<p>The tires supplied with your vehicle are covered by General Motors against defects in material or workmanship under the Bumper-to-Bumper Limited Warranty coverage. Wear-out is not considered a defect, and it may occur before the vehicle warranty expires. In this case, the owner is responsible for purchasing replacement tires, or seeking coverage solely from the tire manufacturer. For vehicles within the Bumper-to-Bumper Limited Warranty coverage, defective tires will be replaced on a prorated adjustment basis according to the mileage-based schedule in your Warranty and Owner Assistance Information booklet. After your New-Vehicle Limited Warranty expires, you may still have prorated warranty coverage on your original equipment tires by the tire manufacturer.</p>
<p>TOWING</p>	<p>Towing is covered to the nearest Chevrolet dealer if your vehicle cannot be driven because of a warranted defect.</p>
<p>COURTESY TRANSPORTATION</p>	<p>If your vehicle requires warranty repairs during the Limited Powertrain Warranty coverage period (8 years/100,000 miles for repairs warrantable under the Hybrid/Electric Propulsion Limited Warranty), alternate transportation and/or reimbursement of certain transportation expenses may be available under the Courtesy Transportation Program. Several transportation options are available. Consult your dealer or refer to the Owner's Manual for details. Courtesy Transportation is not part of or included in the coverage provided by the New-Vehicle Limited Warranty. General Motors reserves the right to make any changes or discontinue the Courtesy Transportation program at any time without notification.</p>
<p>ROADSIDE ASSISTANCE</p>	<p>Chevrolet is proud to offer the response, security and convenience of the 24-Hour Roadside Assistance Program. Roadside Assistance is provided with all purchased or leased GM vehicles that are within the Powertrain Limited Warranty.</p> <ul style="list-style-type: none"> Emergency Towing (from a public road or highway to nearest Chevrolet dealer) Lockout Service (keys locked inside vehicle) Flat Tire Changes (service to change a flat tire with the spare tire (if equipped)) Fuel Delivery (enough fuel for vehicle to get to the nearest service station) Jump-Starts (service to jumpstart a dead battery) <p>During the 8 year or 100,000 miles Electric Propulsion warranty period, towing is covered to the nearest Chevrolet servicing dealer if your vehicle cannot be driven because of a warranted Electric Propulsion specific defect.</p> <p>Refer to your Owner's Manual for details, including reservation of rights, or consult your dealer/retailer. --For specific terms and conditions, please contact your Chevrolet Roadside Assistance Program advisor at 1-800-243-8872.</p>
<p>WHAT IS NOT COVERED</p>	<p>All the above items are not covered for damage due to accident, misuse, alteration, insufficient or improper maintenance, contaminated or poor-quality fuel or environmental and chemical exposure. For complete details, refer to your Warranty and Owner Assistance Information booklet.</p> <p>This is a supplement to the express conditions and warranties described in the Warranty and Owner Assistance Information booklet. Other coverages are not extended or altered due to this supplement.</p> <p>Passenger car, light-duty truck, crossover and van owners requiring a more comprehensive coverage than what is provided with the New-Vehicle Limited Warranty are encouraged to consider a Chevrolet Protection Plan. This plan is available through Chevrolet dealerships. For more information, see the Extended Protection section on www.chevrolet.com/owners/warranty.html.</p>
<p>ALTERATIONS AND WARRANTIES</p>	<p>AN IMPORTANT NOTE ABOUT ALTERATIONS AND WARRANTIES. The Chevrolet New Vehicle Limited Warranty does not cover any damage or failure resulting from modifications, installations, or alterations to the original equipment as manufactured or assembled by General Motors. The special body company, assembler, equipment installer or upfitter is solely responsible for warranties on the body or equipment and any alterations (or any effect of the alterations) to any of the parts, components, systems or assemblies installed by GM. General Motors is not responsible for the safety or quality of design features, materials or workmanship of any alterations by such suppliers.</p>



GM reserves the right to make changes at any time, without notice, in prices, colors, materials, equipment, specifications, models, and availability. Specifications, dimensions, measurements, ratings, and other numbers in this catalog and other printed materials provided at the dealership or affixed to vehicles are approximates based upon design and engineering drawings and prototypes and laboratory tests. Your vehicle may differ due to variations in manufacture and equipment. Since some information may have been updated since the time of printing, please check with your GM dealer for complete details. Some of the equipment shown or described throughout this publication may be available at extra cost, and/or is supplied by an independent supplier.

©2015 General Motors. All rights reserved. All text, images, graphics, and other materials in this publication are subject to the copyright and other intellectual property rights of General Motors. These materials may not be reproduced, distributed, or modified without the express written permission of General Motors. The marks appearing in this publication including, but not limited to: GM and the GM logo; Chevrolet and their respective logos, emblems, slogans, and vehicle model names and body designs; and other marks such as GM Fleet and Commercial are trademarks and/or service marks of General Motors, its subsidiaries, affiliates, or licensors.

For more detailed information, contact your District Sales Manager or see the online order guide at gmfleet.com.



For more information, visit gmfleet.com/police

GENERAL MOTORS FLEET

